



**BUILDING CODE COMPLIANCE OFFICE (BCCO)
PRODUCT CONTROL DIVISION**

**MIAMI-DADE COUNTY, FLORIDA
METRO-DADE FLAGLER BUILDING
140 WEST FLAGLER STREET, SUITE 1603
MIAMI, FLORIDA 33130-1563
(305) 375-2901 FAX (305) 375-2908
www.buildingcodeonline.com**

NOTICE OF ACCEPTANCE (NOA)

**T. M. Windows & Door, LLC
601 N. W. 12th Ave.,
Pompano Beach, Fl. 33069**

SCOPE:

This NOA is being issued under the applicable rules and regulations governing the use of construction materials. The documentation submitted has been reviewed by Miami-Dade County Product Control Division and accepted by the Board of Rules and Appeals (BORA) to be used in Miami Dade County and other areas where allowed by the Authority Having Jurisdiction (AHJ).

This NOA shall not be valid after the expiration date stated below. The Miami-Dade County Product Control Division (In Miami Dade County) and/or the AHJ (in areas other than Miami Dade County) reserve the right to have this product or material tested for quality assurance purposes. If this product or material fails to perform in the accepted manner, the manufacturer will incur the expense of such testing and the AHJ may immediately revoke, modify, or suspend the use of such product or material within their jurisdiction. BORA reserves the right to revoke this acceptance, if it is determined by Miami-Dade County Product Control Division that this product or material fails to meet the requirements of the applicable building code.

This product is approved as described herein, and has been designed to comply with the Florida Building Code, including High Velocity Hurricane Zone of the Florida Building Code.

DESCRIPTION: Series "230 " Outswing Aluminum Door w / wo sidelites

APPROVAL DOCUMENT: Drawing No. **W02-77.**, titled "230 Alum Outswing Door w/sidelites. ", sheets 1 through 6 of 6, prepared by Al-Farooq Corporation, dated 08-28-02 and last revised on Apr 24,2008, signed and sealed by Dr. Humayoun Farooq, P. E., bearing the Miami-Dade County Product Control Renewal stamp with the Notice of Acceptance number and expiration date by the Miami-Dade County Product Control Division.

MISSILE IMPACT RATING: Large Missile Impact Resistant

Limitation: Exterior (positive) design loads to be limited per sheet 2 of the drawings.

LABELING: Each unit shall bear a permanent label with the manufacturer's name or logo, city, state and following statement: "Miami-Dade County Product Control Approved", unless otherwise noted herein.

RENEWAL of this NOA shall be considered after a renewal application has been filed and there has been no change in the applicable building code negatively affecting the performance of this product.

TERMINATION of this NOA will occur after the expiration date or if there has been a revision or change in the materials, use, and/or manufacture of the product or process. Misuse of this NOA as an endorsement of any product, for sales, advertising or any other purposes shall automatically terminate this NOA. Failure to comply with any section of this NOA shall be cause for termination and removal of NOA.

ADVERTISEMENT: The NOA number preceded by the words Miami-Dade County, Florida, and followed by the expiration date may be displayed in advertising literature. If any portion of the NOA is displayed, then it shall be done in its entirety.

INSPECTION: A copy of this entire NOA shall be provided to the user by the manufacturer or its distributors and shall be available for inspection at the job site at the request of the Building Official.

This NOA **revises & renews** NOA # **02-1016.09** and consists of this page 1 & evidence page E-1 & E-2, as well as approval document mentioned above.

The submitted documentation was reviewed by **Ishaq I. Chanda, P. E.**



**NOA No 06-0327.02
Expiration Date: December 26, 2012
Approval Date: July 17, 2008
Page 1**

*J
6/20/08*

T. M. Windows & Door, LLC

NOTICE OF ACCEPTANCE: EVIDENCE SUBMITTED

A. DRAWINGS (Transferred from file # 02-1016.09)

1. Manufacturer's die drawings and sections.
2. Drawing No. **W02-77.**, titled "230 Alum Outswing Door w/ sidelites. ", sheets 1 through 6 of 6, prepared by Al-Farooq Corporation, dated 08-28-02 and last revised on Apr 24,2008, signed and sealed by Dr. Humayoun Farooq, P. E.

B. TESTS

1. Test report on
 - 1) Air Infiltration Test, per FBC, TAS 202-94
 - 2) Uniform Static Air Pressure Test, Loading per TAS 202-94
 - 3) Water Resistance Test, per FBC, TAS 202-94
 - 4) Forced Entry Test per FBC, TAS 202-94
 - 5) Cyclic Wind Pressure Loading per FBC, TAS 203-94
 - 6) Forced Entry Test, per FBC 2411 3.2.1 and TAS 202-94

along with marked-up drawings and installation diagram of aluminum outswing door, prepared by Fenestration Testing Laboratory, Inc., Test Report No. **FTL-5458**, dated 02/15/08, signed and sealed by Carlos S. Rionda, P.E.

2. Test report on
 - 1) Air Infiltration Test, per FBC, TAS 202-94
 - 2) Uniform Static Air Pressure Test, Loading per TAS 202-94
 - 3) Water Resistance Test, per FBC, TAS 202-94
 - 4) Forced Entry Test per FBC, TAS 202-94
 - 5) Cyclic Wind Pressure Loading per FBC, TAS 203-94
 - 6) Forced Entry Test, per FBC 2411 3.2.1 and TAS 202-94

along with marked-up drawings and installation diagram of aluminum outswing door, prepared by Fenestration Testing Laboratory, Inc., **3355**, dated 01/29/02 and **FTL-3355**, dated 01/29/02, signed and sealed by Luis Figueredo, P.E. and Aldo P. Gonzales, P.E. , respectively, (transferred from file # **02-1016.09**)

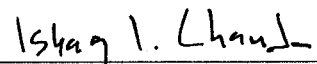
3. Referenced test report per TAS 202-94, Test Report No. **FTL-2648**, dtd 06/06/00 issued by Fenestration Test Lab, signed & sealed by Aldo P. Gonzales, P.E.

C. CALCULATIONS

1. Structural performance, comparative analysis and anchor verification calculations dated Apr 24, 2008, prepared by Al- Farooq Corporation, signed and sealed by Dr. Humayoun Farooq, P.E.
2. Glazing complies w/ ASTM E-2002.

D. QUALITY ASSURANCE

1. Miami Dade Building Code Compliance Office (BCCO).



Ishaq I. Chanda, P. E.
Product Control Examiner
NOA No 06-0327.03

Expiration Date: December 26, 2012

Approval Date: July 17, 2008

T. M. Windows & Door, LLC

NOTICE OF ACCEPTANCE: EVIDENCE SUBMITTED

E. MATERIAL CERTIFICATIONS

1. Notice of Acceptance No. 06-0216.06 issued to Solutia Inc. for "Saflex IIIIG interlayer", expiring on 03/04/09.
2. Notice of Acceptance No. 07-1116.11 issued to Saf-Glas, LLC for "SAF-GLAS, polycarbonate laminate", expiring on 12/16/12.

F. STATEMENTS

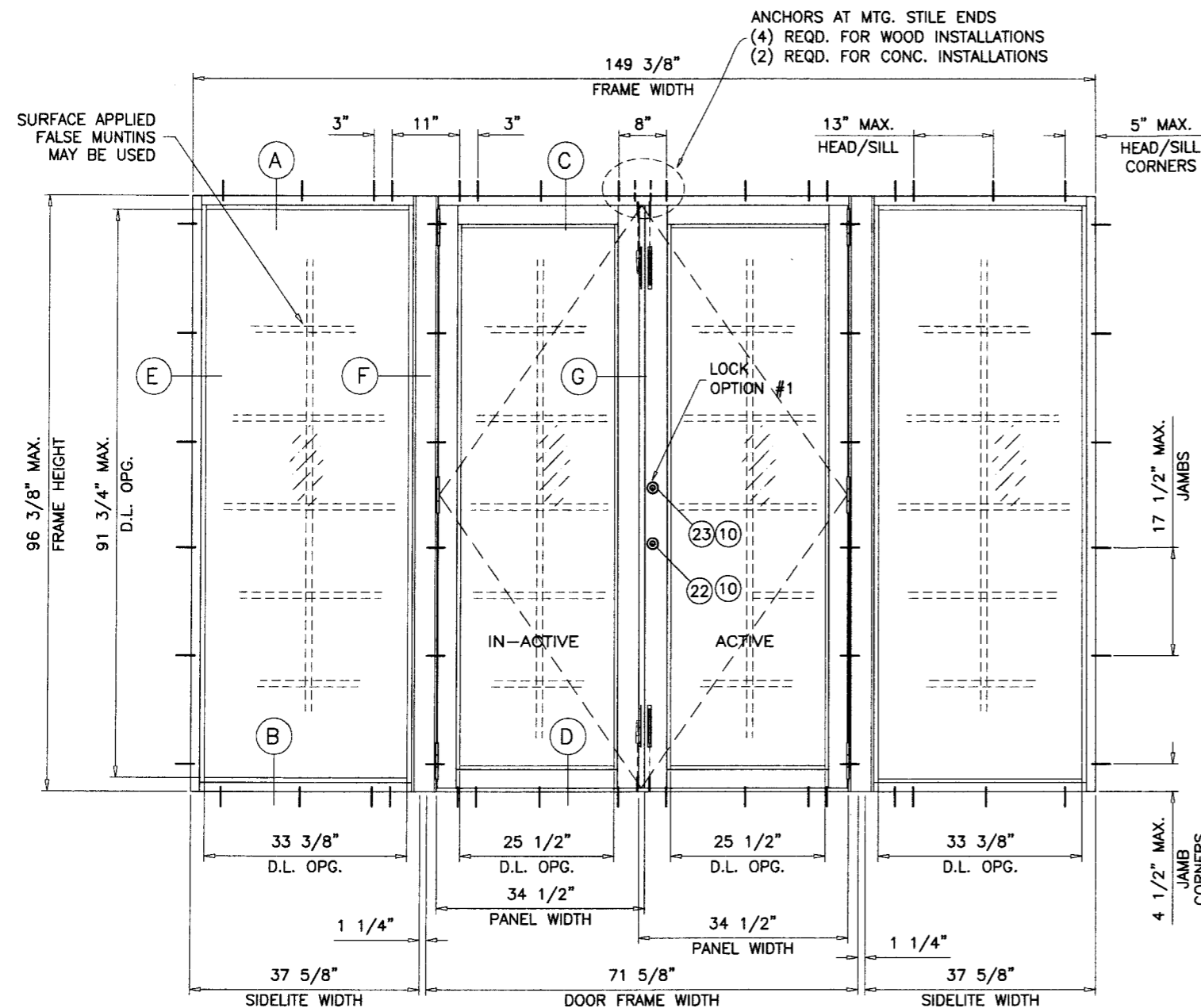
1. Letter of conformance and "No financial interest, dated 03-08-2008 signed & sealed by Dr. Humayoun Farooq, P.E.
2. Statement letter of compliance, as part of above test report.

G. OTHER

1. This NOA **revises & renews** NOA # **02-1016.09**, expired December 26, 2007.
2. Test proposal # **07-3698** dated Nov 08, 2007, issued by BCCO.

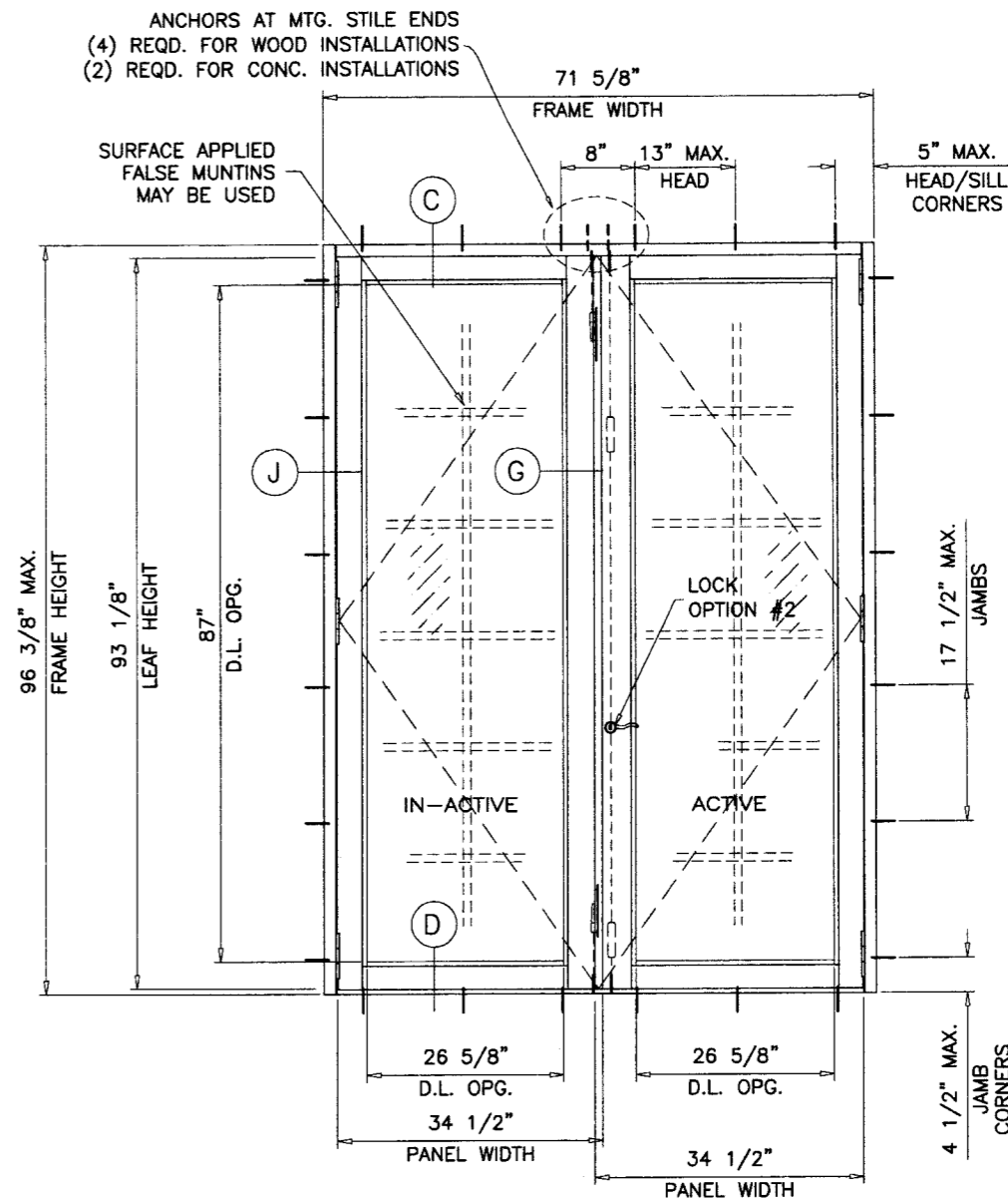
Ishaq I. Chanda

Ishaq I. Chanda, P. E.
Product Control Examiner
NOA No 06-0327.03
Expiration Date: December 26, 2012
Approval Date: July 17, 2008



(O X X O)

TYPICAL ELEVATION



(X X)

SERIES-230 ALUM OUT-SWING DOOR W/ SIDELITES

DOORS/SIDELITES GLAZED WITH LAMINATED GLASS RATED FOR LARGE MISSILE IMPACT AND REQUIRE NO SHUTTERS.

THIS PRODUCT HAS BEEN DESIGNED AND TESTED TO COMPLY WITH THE REQUIREMENTS OF THE FLORIDA BUILDING CODE 2004/2007 EDITION INCLUDING HIGH VELOCITY HURRICANE ZONE (HVHZ).

WOOD BUCKS BY OTHERS, MUST BE ANCHORED PROPERLY TO TRANSFER LOADS TO THE STRUCTURE.

ANCHORS SHALL BE AS LISTED, SPACED AS SHOWN ON DETAILS, ANCHORS EMBEDMENT TO BASE MATERIAL SHALL BE BEYOND WALL DRESSING OR STUCCO.

ANCHORING OR LOADING CONDITIONS NOT SHOWN IN THESE DETAILS ARE NOT PART OF THIS APPROVAL.

A LOAD DURATION INCREASE IN ALLOWABLE STRESS IS USED IN DESIGN OF ANCHORS INTO WOOD ONLY.

MATERIALS INCLUDING BUT NOT LIMITED TO STEEL/METAL SCREWS, THAT COME INTO CONTACT WITH OTHER DISSIMILAR MATERIALS SHALL MEET THE REQUIREMENTS OF 2004 FLORIDA BLDG. CODE SECTION 2003.8.4.

LAMINATED GLASS
LARGE MISSILE IMPACT

SEE SHEET 2 FOR GLASS TYPES AND DESIGN LOAD CAPACITIES.

Engr. DR. HUMAYOUN FAROOQ
STRUCTURES
FLA. PE # 18557
C.A.N. 3538

APR 24 2008

(XX) **PRODUCT RENEWED**
as complying with the Florida
Building Code
Acceptance No. 06-0327.02
Expiration Date DEC 26, 2012
By Sheq. J. Chaudhry
Miami Dade Product Control
Division

afC
AL-FAROOQ CORPORATION
ENGINEERS & PRODUCT DEVELOPMENT
1235 S.W. 87 AVE
MIAMI, FLORIDA 33174
TEL. (305) 264-8100 FAX. (305) 262-6978
COMP-ANL\W02-77TMW

SERIES-230 ALUM OUT-SWING DOOR W/ SIDELITES (L.M.I.)
TM WINDOW AND DOOR
601 N.W. 12TH AVE.
POMPANO BEACH, FL. 33069
TEL. (954) 781-4430 FAX. (954) 781-5078

no	date	by	description
A	03.01.06		UPDATED FOR 2004 FBC
B	03.21.08		REV. PER BCCO COMMENTS

revisions:

date: 08-28-02
scale: 1/2" = 1'-0"
dr. by: HAMID
chk. by:

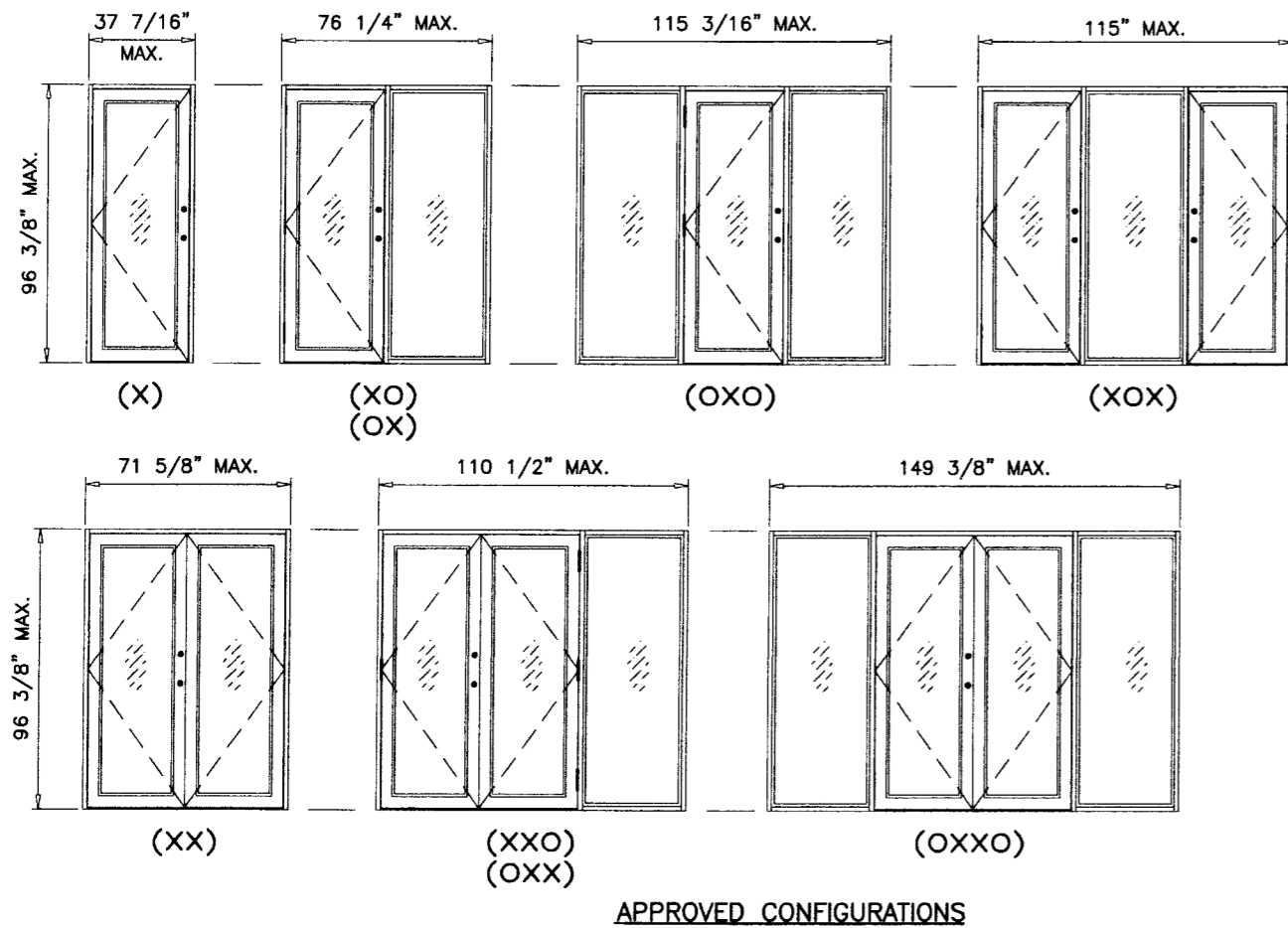
drawing no.
W02-77

sheet 1 of 6

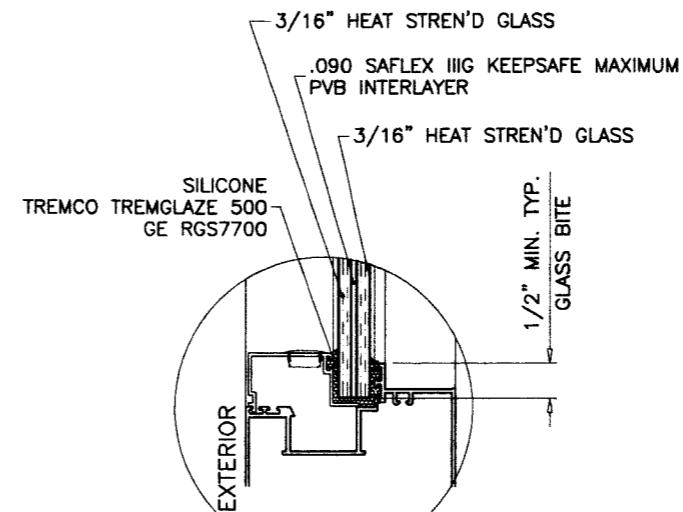
DESIGN LOAD CAPACITIES - PSF FOR SIZES SHOWN BELOW OR SMALLER				
	GLASS TYPE 'A'		GLASS TYPE 'B'	
	EXT. (+)	INT. (-)	EXT. (+)	INT. (-)
DOORS W/O SIDELITES	80.0	90.0	90.0	90.0
DOORS WITH SIDELITES	80.0	90.0	-	-

FOR INSTALLATIONS WHERE WATER INFILTRATION RESISTANCE IS REQUIRED
LIMIT EXTERIOR(+) LOADS AS FOLLOWS
1-5/8" THRESHOLD = +53.3 PSF
2-5/8" THRESHOLD = +80.0 PSF
3-1/2" THRESHOLD = +90.0 PSF

NOTE:
GLASS CAPACITIES ON THIS SHEET ARE
BASED ON ASTM E1300-02/04 (3 SEC. GUSTS)
AND FLORIDA BUILDING COMMISSION
DECLARATORY STATEMENT DCA05-DEC-219

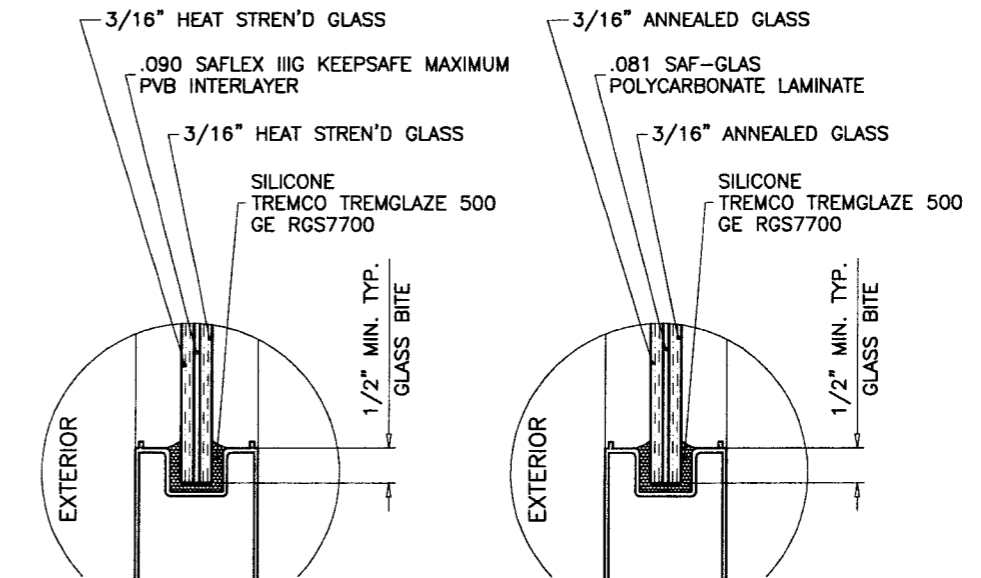


APPROVED CONFIGURATIONS



0.460" OVERALL LAM. GLASS

GLASS TYPE 'A'
(SIDELITE)



0.460" OVERALL LAM. GLASS

GLASS TYPE 'A'
(DOOR LEAF)

0.455" OVERALL LAM. GLASS

GLASS TYPE 'B'
(DOOR LEAF)

GLAZING OPTIONS

Engr. DR. HUMAYOON FAROOQ
STRUCTURES
F.L.A. PE # 18557
C.A.N. 3538

APR 24 2008

PRODUCT RENEWED
in compliance with the Florida
Building Code
Acceptance No. 26-0327-02
Expiration Date DEC 24, 2012
By *Sheep J. Hamid*
Miami Dade Product Control
Division

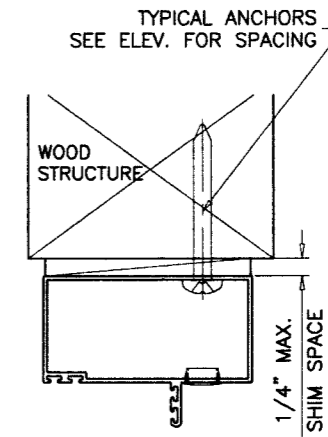
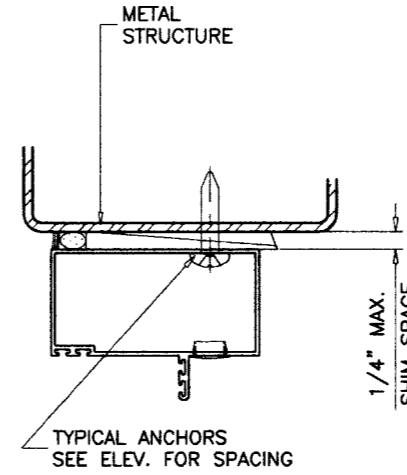
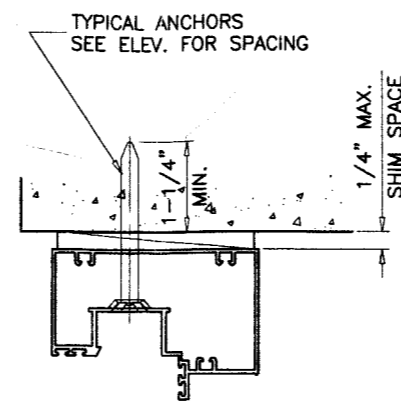
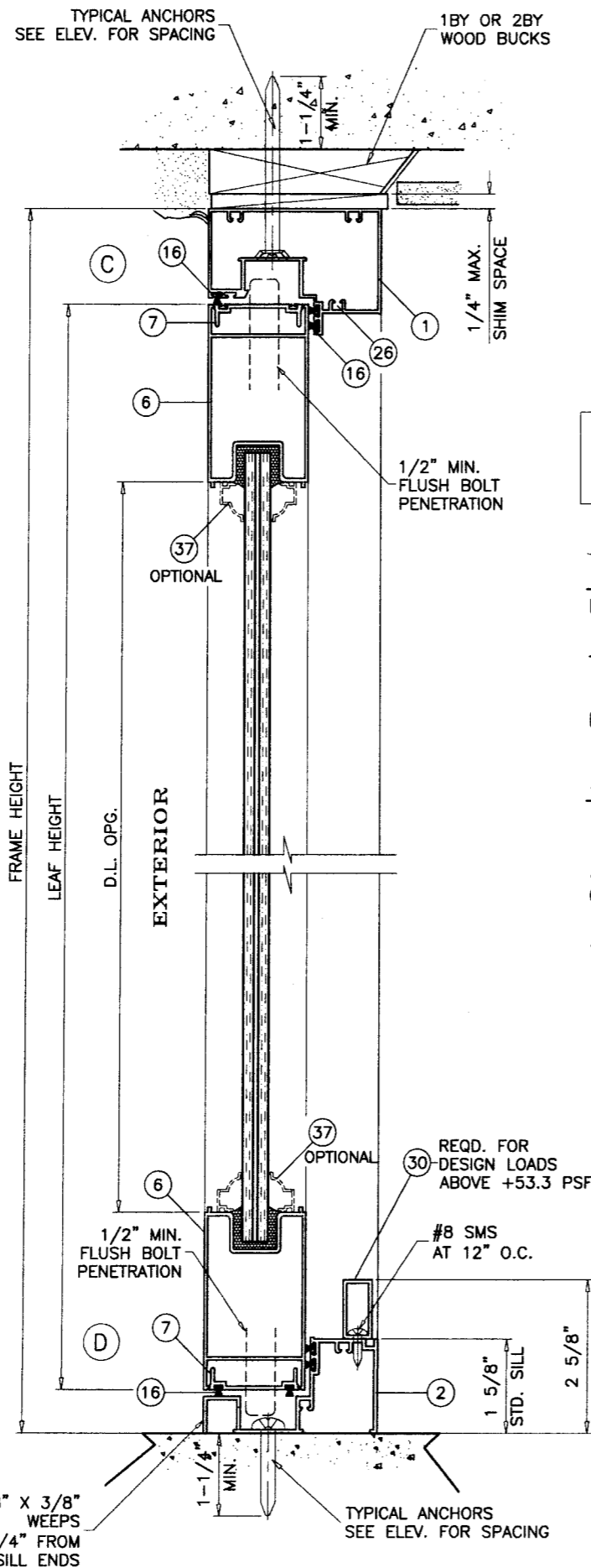
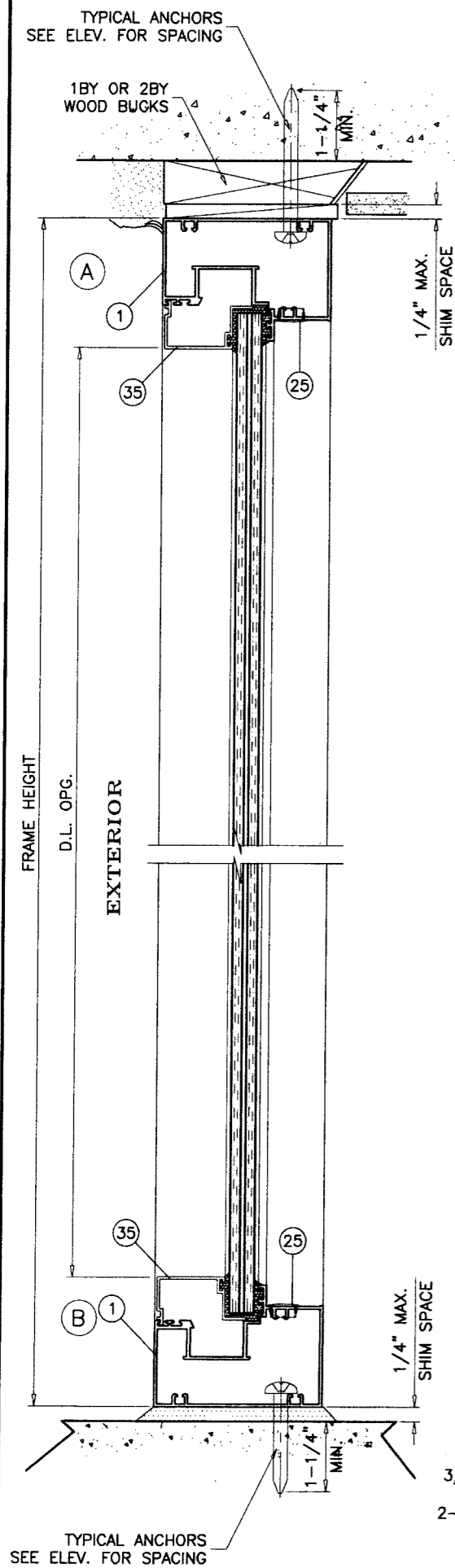
afC
AL-FAROOQ CORPORATION
ENGINEERS & PRODUCT DEVELOPMENT
1235 S.W. 87 AVE
MIAMI, FLORIDA 33174
TEL. (305) 264-8100 FAX. (305) 262-6978
COMP-ANL\W02-77TMW

SERIES-230 ALUM OUT-SWING DOOR W/ SIDELITES (L.M.I.)
TM WINDOW AND DOOR
601 N.W. 12TH AVE.
POMPANO BEACH, FL. 33069
TEL. (954) 781-4430 FAX. (954) 781-5078

NO	DATE	DESCRIPTION
A	03.01.08	CHARTS REV.
B	03.21.08	REV. PER BCCO COMMENTS

date: 08-28-02
scale: 3/8" = 1"
dr. by: HAMID
chk. by:

drawing no.
W02-77
sheet 2 of 6



WOOD BUCKS AND METAL STRUCTURES NOT BY TM WINDOWS MUST SUPPORT LOADS IMPOSED BY GLAZING SYSTEM AND TRANSFER THEM TO THE BUILDING STRUCTURE.

TYPICAL ANCHORS: SEE ELEV. FOR SPACING

1/4" DIA TAPCONS BY ELCO

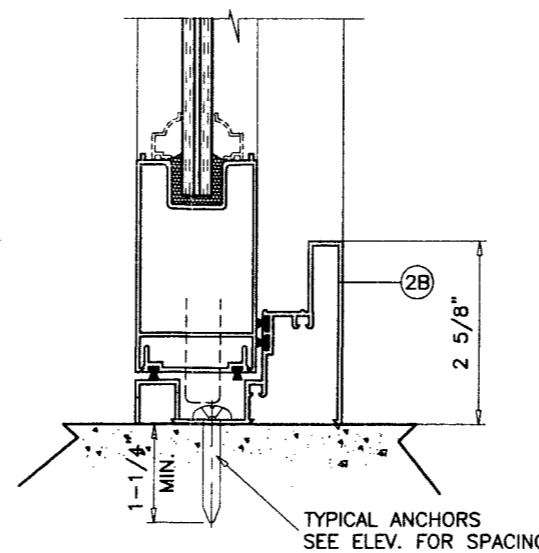
- INTO WOOD STRUCTURE
- 1-3/4" MIN. PENETRATION INTO WOOD
- THRU 1BY OR 2BY WOOD BUCKS INTO MASONRY OR CONC.
- 1-1/4" MIN. EMBED INTO MASONRY OR CONC.
- DIRECTLY INTO CONCRETE OR MASONRY
- 1-1/4" MIN. EMBED INTO CONCRETE OR MASONRY

1/4" SELF DRILLING SCREWS (GRADE 5 CRS)

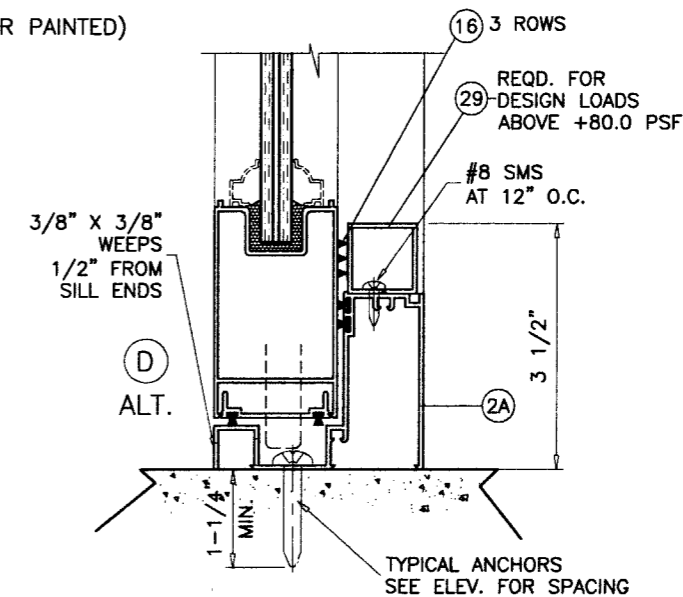
- INTO METAL STRUCTURES
- STEEL : 12 GA. MIN. (Fy = 36 KSI MIN.)
- ALUMINUM : 1/8" THK. MIN. (6063-T5 MIN.)
- (STEEL IN CONTACT WITH ALUMINUM TO BE PLATED OR PAINTED)

TYPICAL EDGE DISTANCE

- INTO CONCRETE AND MASONRY = 2-1/2" MIN.
- INTO WOOD STRUCTURE = 1" MIN.
- INTO METAL STRUCTURE = 3/4" MIN.



ONE PIECE SILL ALTERNATE TO TWO PIECE SILL AT LEFT



Engr. DR. HUMAYOUN FAROOQ
STRUCTURES
FLA. PE # 16557
C.A.N. 3538

APR 24 2008

PRODUCT RENEWED
as complying with the Florida
Building Code
Acceptance No. 06-0327.02
Expiration Date DEC 26, 2012
By: *Shag I. Chandra*
Miami Dade Product Control
Division

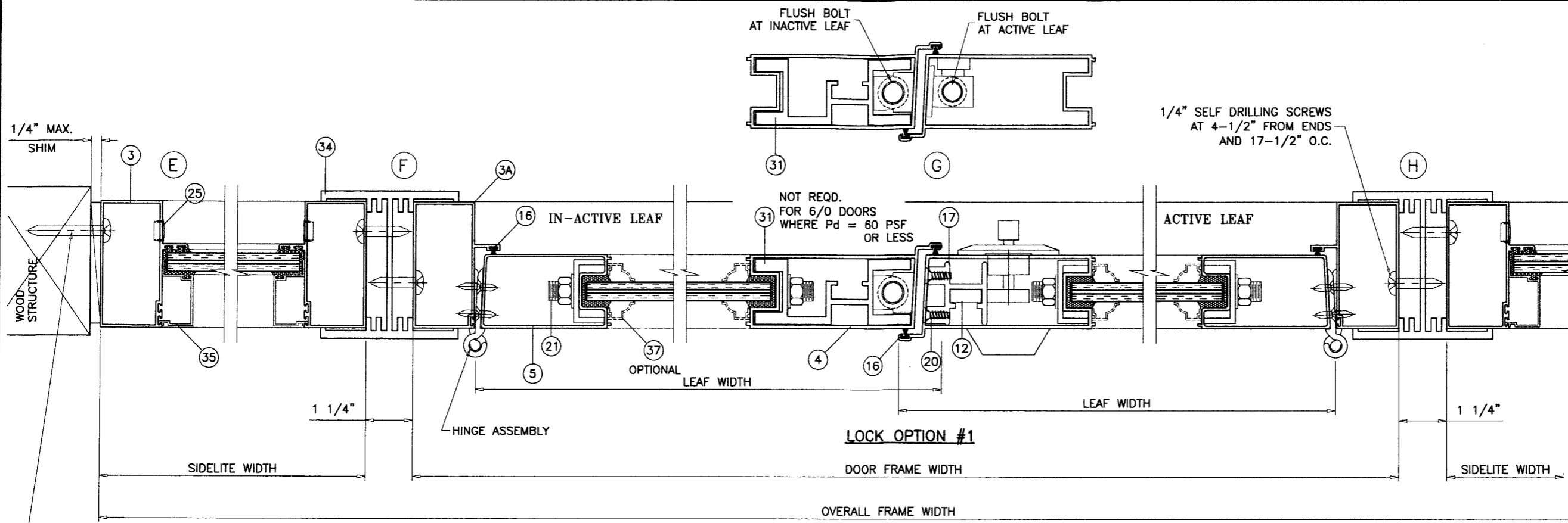
afC
AL-FAROOQ CORPORATION
ENGINEERS & PRODUCT DEVELOPMENT
1235 S.W. 87 AVE
MIAMI, FLORIDA 33174
TEL. (305) 264-8100 FAX. (305) 262-6978
COMP-ANL\W02-77TMW

SERIES-230 ALUM OUT-SWING DOOR W/ SIDELITES (L.M.I.)
TM WINDOW AND DOOR
601 N.W. 12TH AVE.
POMPANO BEACH, FL. 33069
TEL. (954) 781-4430 FAX. (954) 781-5078

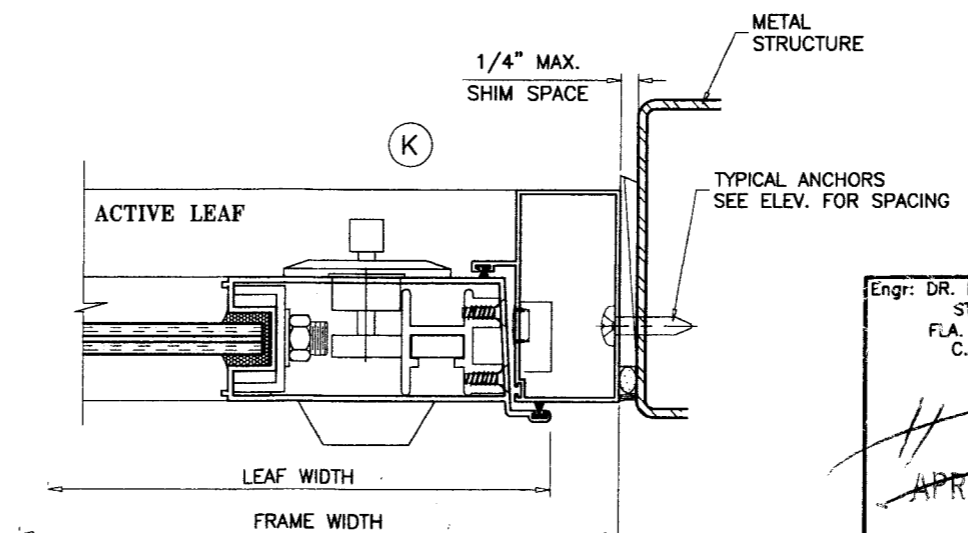
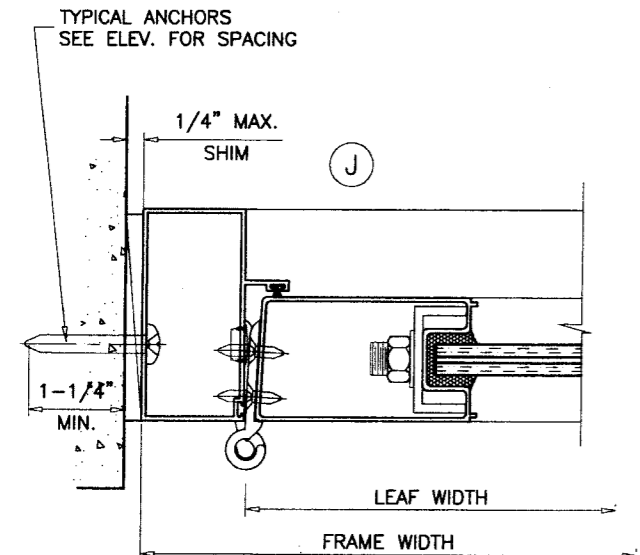
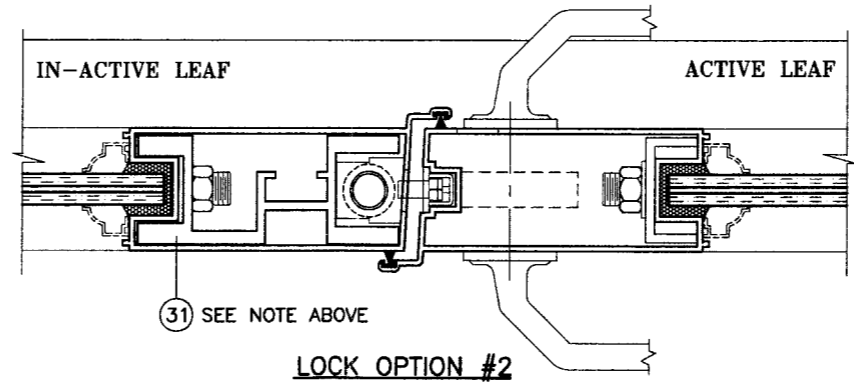
no	date	description
A	03.01.06	ANCHORS REV.
B	03.21.08	REV. PER BCCO COMMENTS

date: 08-28-02
scale: 3/8" = 1"
dr. by: HAMID
chk. by:

drawing no.
W02-77
sheet 3 of 6



EXTERIOR



Engr: DR. HUMAYOJUN FAROOQ
STRUCTURES
FLA. PE # 18557
C.A.N. 3538

APR 24 2008

PRODUCT RENEWED
as complying with the Florida
Building Code
Acceptance No. 66-0327-02
Expiration Date DEC 26, 2012
By Ishag I. Chander
Miami Dade Product Control
Division

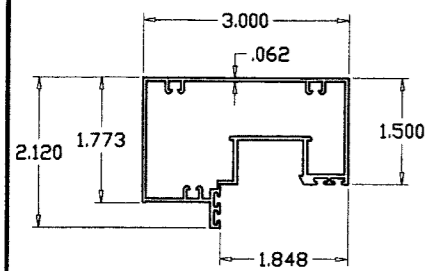
af c
AL-FAROOQ CORPORATION
ENGINEERS & PRODUCT DEVELOPMENT
1235 S.W. 87 AVE
MIAMI, FLORIDA 33174
TEL. (305) 264-8100 FAX. (305) 262-6978
COMP-ANL\W02-77TMW

SERIES-230 ALUM OUT-SWING DOOR W/ SIDELITES (L.M.I.)
TM WINDOW AND DOOR
601 N.W. 12TH AVE.
POMPANO BEACH, FL. 33069
TEL. (954) 781-4430 FAX. (954) 781-5078

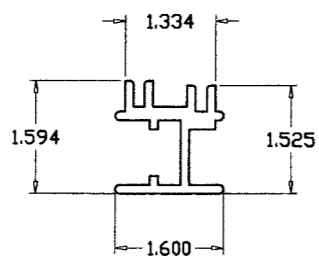
no	date	description
A	03.01.06	DTLS. REV.
B	03.21.08	REV. PER BCCO COMMENTS

date: 08-28-02
scale: 3/8" = 1"
dr. by: HAMID
chk. by:

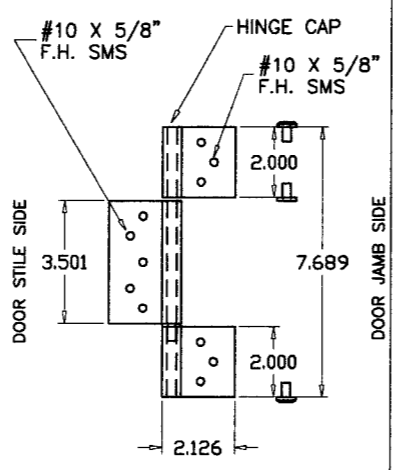
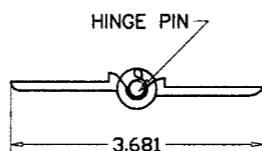
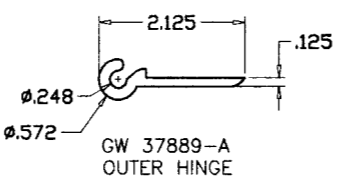
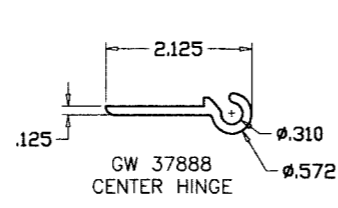
drawing no.
W02-77
sheet 4 of 6



FRAME HEAD
TM-038

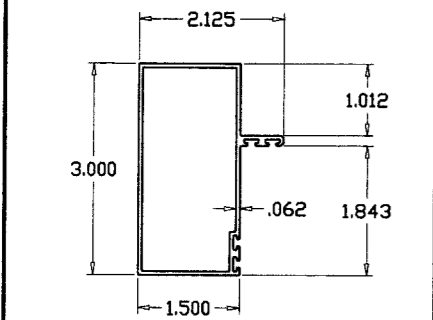


FLUSH BOLT GUIDE
GW-27646

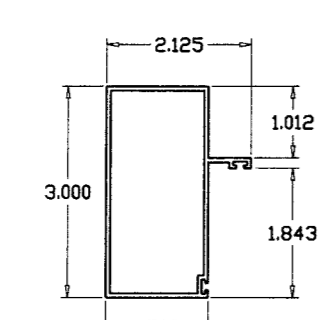


HINGE ASSEMBLY

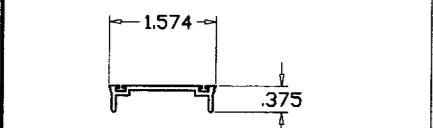
ITEM #	PART #	QUANTITY	DESCRIPTION	MATERIAL	MANF./SUPPLIER/REMARKS
1	TM-38A	1	FRAME HEAD	6063-T6	-
2	GW 28615	1	FRAME SILL	6063-T6	-
2A	GW 37319	1	ALT. FRAME SILL	6063-T6	-
2B	TM184	1	ALT. FRAME SILL	6063-T5	-
3	GW 36572	2	SIDELITE FRAME	6063-T6	-
3A	TM175	2	DOOR JAMB	6063-T6	-
4	GW 36048	1	PANEL LOCK STILE	6063-T5	-
4A	TM172	1	ALT. PANEL LOCK STILE	6063-T6	-
5	GW 36935	1	PANEL HINGE STILE	6063-T5	-
6	TM-081	2	PANEL TOP/BOTTOM RAIL	6063-T5	-
7	GW 31826	4	WEATHERSTRIP ADAPTER	6063-T5	END OF DOOR STILES (TOP/BOTTOM)
8	GW 37889A	2/HINGE ASSY.	TM OUTER BUTT HINGE	6063-T6	DOOR PANEL/FRAME HINGE SIDE
9	GW 33888	1/HINGE ASSY.	TM CENTER BUTT HINGE	6063-T6	DOOR PANEL/FRAME HINGE SIDE
10	GW 32222	2	DOOR LOCK INSERT	6063-T5	LOCK STILE
11	-	2/ LEAF	3/4 x 1 1/4 x 3/4 x 1/8" THK. CAP	ALUMINUM	3" LONG
12	-	2/LEAF	TM FLUSH BOLT ASSEMBLY	ALUMINUM	DOOR LOCK STILES
16	4037	AS REQ'D.	"ULTRAFAB" CENTERFIN WOOLPILE	WOOL	LOCK STILES, JAMBS, HEAD, SILL
17	GW 27646	2/LEAF	FLUSHBOLT GUIDE, 2" LONG	6063-T5	LOCK STILES ENDS (TOP/BOTTOM)
18	-	1/HINGE	7/32" HINGE PIN	STEEL	AT EACH HINGE ASSEMBLY
20	-	AS REQD.	#10 x 1/2" F.H. UNDERCUT SMS.	STEEL	AT FLUSH BOLTS
21	-	2/LEAF	1/2" THREADED ROD, WASHER & NUT	STEEL	TOP/BOTTOM END RAILS
22	SERIES 400	1	KWIKSET KNOBLOCK	-	ACTIVE LEAF
23	SERIES 600	1	KWIKSET DEADBOLT	-	ACTIVE LEAF
24	-	2/HINGE ASSY.	HINGE BUSHING	PLASTIC	HINGE ASSEMBLY
25	-	36	DUST PLUG (OPTIONAL)	PLASTIC	DOOR JAMB INSTALL. SCREW HOLES
26	-	AS REQD.	#10 x 1" P.H. SMS. (ASSY. SCREW)	STEEL	DOOR FRAME MEMBERS/MULL CLIPS
27	-	2/HINGE ASSY.	HINGE CAP	PLASTIC	HINGE ASSEMBLY
29	-	1	SILL ADAPTER (1" X 1" X 1/16" TUBE)	ALUM	-
30	-	1	SILL ADAPTER (1/2" X 1" X 1/16" TUBE)	ALUM	-
31	TM-075	1	LOCK STILE REINFORCEMENT	6063-T5	FULL LENGTH @ DOOR LOCK STILES
34	TM-054A	2	MULLION	6063-T5	BETWEEN DOOR/SIDE LITE JAMBS
35	GW 31956	4	GLASS STOP	6063-T5	SIDE LITE GLAZING PERIMETER
37	GW 36737	OPTIONAL	O.G. DECORATIVE MOULDING	6063-T5	DOOR PANEL PERIMETER
37A	TM-155A	OPTIONAL	O.G. DECORATIVE MOULDING	6063-T6	DOOR PANEL PERIMETER



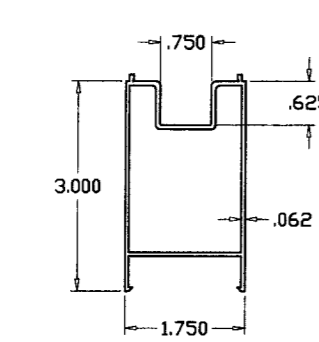
3 SIDELITE FRAME
GW 36572



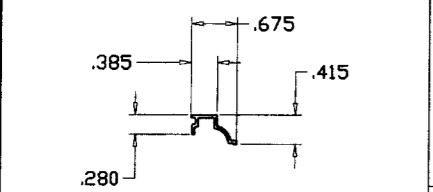
3A DOOR JAMB
TM175



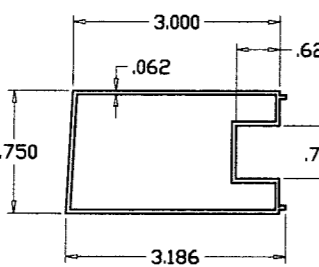
WEATHER-STRIP ADAPTER
GW-31826



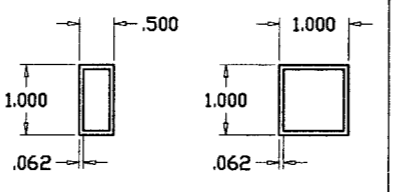
DOOR TOP & BOTTOM RAIL
TM 081



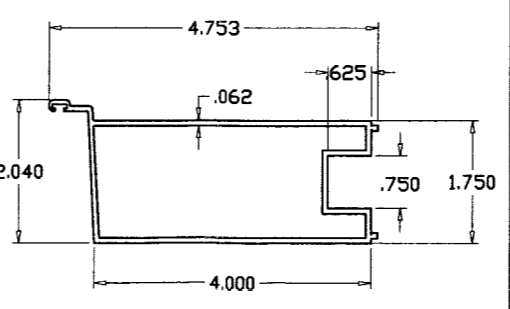
37 DECORATIVE MOULDING
GW-36737



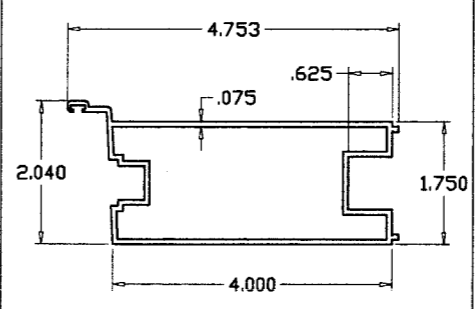
DOOR HINGE STILE
GW-36935



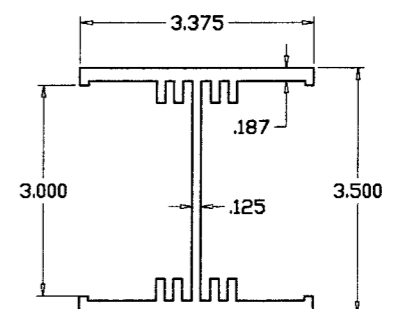
29 SILL ADAPTERS
30



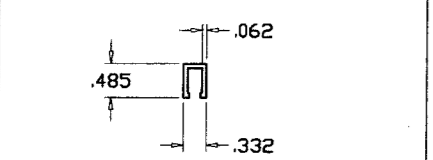
4 DOOR LEAF STILE
GW 36048



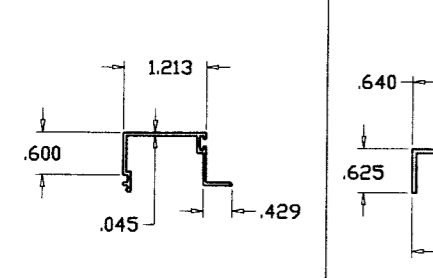
4A ALT. DOOR LEAF STILE
TM172



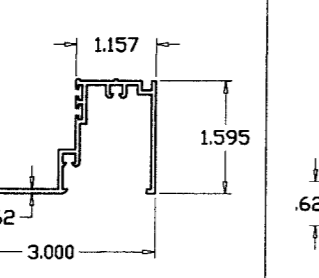
MULLION
TM-054A



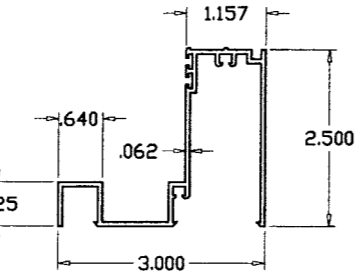
57A DECORATIVE MOULDING
TM-155A



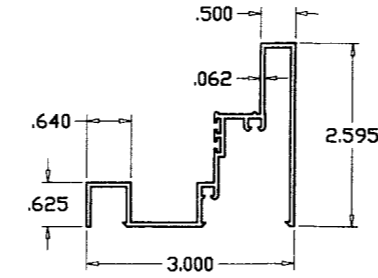
GLASS STOP
GW-31956



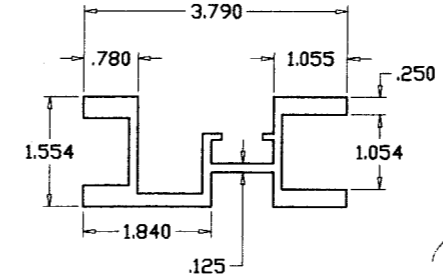
STD. FRAME SILL
GW-28615



2A ALT. FRAME SILL
GW-37319



2B ALT. FRAME SILL
TM-184



31 LOCK STILE REINFORCEMENT
TM-075

Engr: DR. HJMA'OUN FAROOQ
STRUCTURES
FLA. PE # 16557
C.A.N. 3538

APR 24 2008

PRODUCT RENEWED
as complying with the Florida
Building Code
Acceptance No. 66-022702
Expiration Date per 24/2007
By: *[Signature]*
Miami Dade Product Control
Division

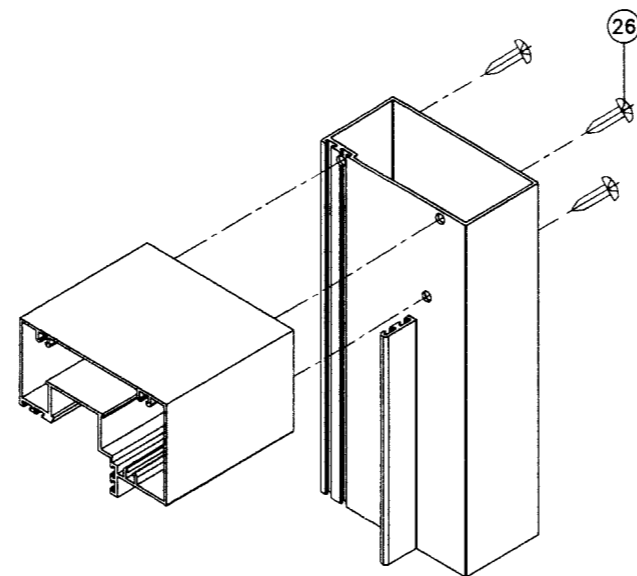
AL-FAROOQ CORPORATION
ENGINEERS & PRODUCT DEVELOPMENT
1235 S.W. 87 AVE
MIAMI, FLORIDA 33174
TEL. (305) 264-8100 FAX. (305) 262-6978
COMP-ANL\W02-77IMW

SERIES-230 ALUM OUT-SWING DOOR W/ SIDELITES (L.M.I.)
TM WINDOW AND DOOR
601 N.W. 12TH AVE.
POMPANO BEACH, FL. 33069
TEL. (954) 781-4430 FAX. (954) 781-5078

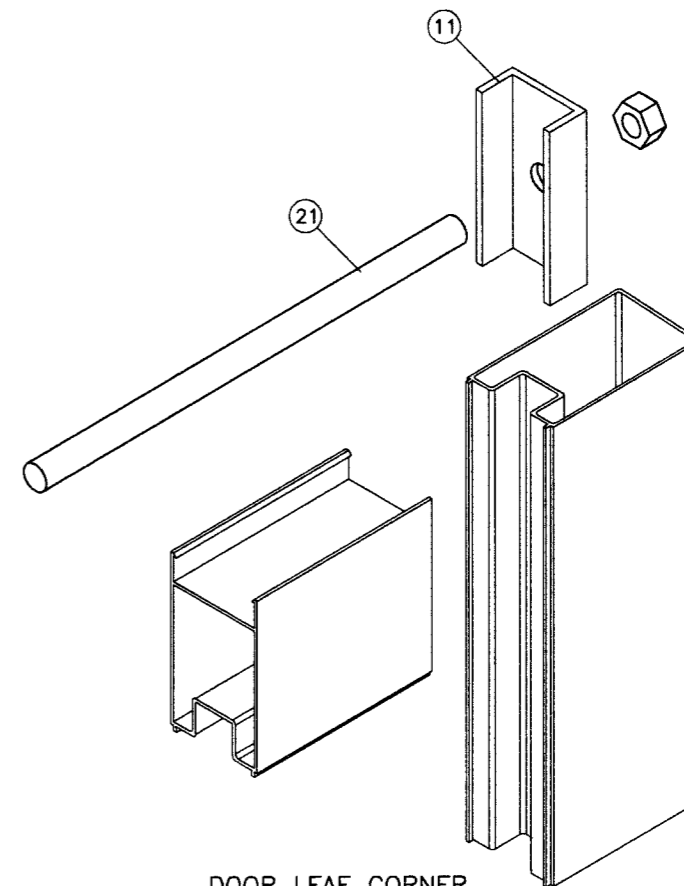
no	date	by	description
A	03.01.06	ALLOY REV.	
B	03.21.08	REV. PER BCCO COMMENTS	

date: 08-28-02
scale: 3/8" = 1"
dr. by: HAMID
chk. by:

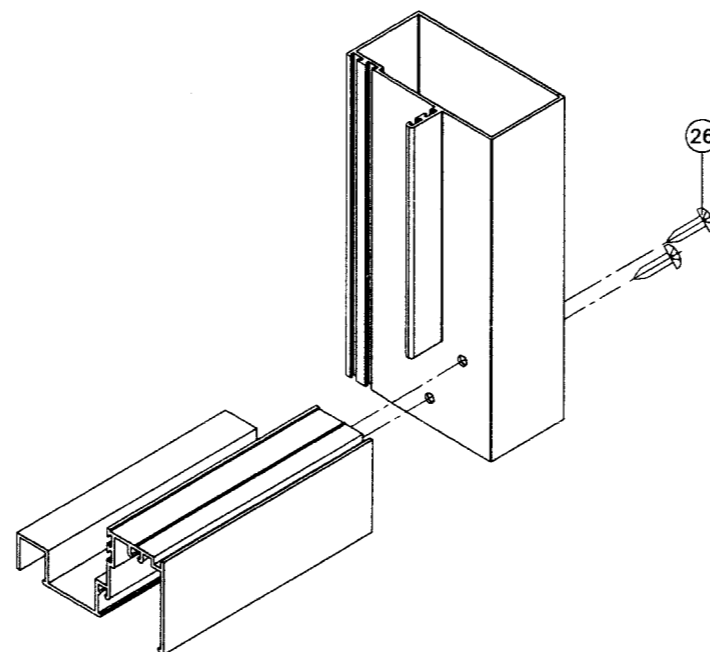
drawing no.
W02-77
sheet 5 of 6



FRAME TOP CORNER
SIDELITE CORNER



DOOR LEAF CORNER



FRAME BOTTOM CORNER

SEALANTS:

FRAME CORNERS AND GLAZING BEAD TO PANEL SEALED WITH WHITE COLORED SEALANT.
SEAMS BETWEEN MULLION AND JAMBS SEALED WITH SILICONE.

HINGES:

7-5/8" LONG ALUM BUTT HINGES, AT 11" FROM EACH END AND ONE AT MIDSPAN OF LEAF.

LOCKS:

OPTION #1

STANDARD STEEL THROW BOLT LOCK, KEY OPERATED ON EXTERIOR AND THUMB TURN ON INTERIOR
AT EACH ACTIVE LEAF LOCK STILE, 48" FROM BOTTOM

CONVENTIONAL LOCKSET WITH KNOB, KEY OPERATED ON EXTERIOR AND THUMB TURN ON INTERIOR
AT EACH ACTIVE LEAF LOCK STILE, 39-1/2" FROM BOTTOM

MANUALLY OPERATED CONCEALED FLUSH BOLTS
AT TOP & BOTTOM OF EACH LEAF LOCK STILE
(4) AT DOUBLE(XX) DOORS, (2) AT SINGLE(X) DOORS

OPTION #2

MULTI-POINT LOCK SYSTEM WITH LEVER HANDLE LOCATED AT 34-1/2" FROM BOTTOM OF ACTIVE LEAF LOCK STILE
FASTENED WITH (2) #12-28 X 2-1/4" OH MS

METALLIC STRIKE PLATE AT 34-1/2" FROM BOTTOM OF INACTIVE LEAF LOCK STILE FASTENED WITH
(3) #10 X 1/2" FH SMS

MANUALLY OPERATED CONCEALED FLUSH BOLTS AT TOP & BOTTOM OF INACTIVE LEAF LOCK STILE
OPERATORS AT 10-1/2" & 76-1/2" FROM BOTTOM
FASTENED WITH (2) #8-32 X 1/2" FH MS

(FLUSH BOLTS AT TOP & BOTTOM OF ACTIVE AND INACTIVE LEAFS TO BE ENGAGED DURING PERIODS OF HURRICANE WARNING)

Engr: DR. HUMAYOON FAROOQ
STRUCTURES
FLA. PE # 16557
C.A.N. 3538

APR 24 2008

PRODUCT RENEWED
as complying with the Florida
Building Code
Acceptance No. 06-0327-02
Expiration Date DEC 26 2012
By Ishag I. Chaudhry
Miami Dade Product Control
Division

af c

AL-FAROOQ CORPORATION
ENGINEERS & PRODUCT DEVELOPMENT
1235 S.W. 87 AVE
MIAMI, FLORIDA 33174
TEL. (305) 264-8100 FAX. (305) 262-6978
COMP-ANL\W02-77TMW

SERIES-230 ALUM OUT-SWING DOOR W/ SIDELITES (L.M.I.)

TM WINDOW AND DOOR
601 N.W. 12TH AVE.
POMPANO BEACH, FL. 33069
TEL. (954) 781-4430 FAX. (954) 781-5078

no	date	by	description
A	03.01.06		NO CHANGE THIS SHEET
B	03.21.08		REV. PER BCCO COMMENTS

revisions:

date: 08-28-02
scale: 3/8" = 1"
dr. by: HAMID
chk. by:

drawing no.
W02-77

sheet 6 of 6