



MIAMI-DADE COUNTY
BUILDING CODE COMPLIANCE OFFICE (BCCO)
PRODUCT CONTROL DIVISION

MIAMI-DADE COUNTY, FLORIDA
METRO-DADE FLAGLER BUILDING
140 WEST FLAGLER STREET, SUITE 1603
MIAMI, FLORIDA 33130-1563
(305) 375-2901 FAX (305) 375-2908
www.miamidade.gov/buildingcode

NOTICE OF ACCEPTANCE (NOA)

T.M. Window & Door L.L.C.
601 N.W. 12th Ave.
Pompano Beach, FL 33069

SCOPE:

This NOA is being issued under the applicable rules and regulations governing the use of construction materials. The documentation submitted has been reviewed by Miami-Dade County Product Control Division and accepted by the Board of Rules and Appeals (BORA) to be used in Miami Dade County and other areas where allowed by the Authority Having Jurisdiction (AHJ).

This NOA shall not be valid after the expiration date stated below. The Miami-Dade County Product Control Division (In Miami Dade County) and/or the AHJ (in areas other than Miami Dade County) reserve the right to have this product or material tested for quality assurance purposes. If this product or material fails to perform in the accepted manner, the manufacturer will incur the expense of such testing and the AHJ may immediately revoke, modify, or suspend the use of such product or material within their jurisdiction. BORA reserves the right to revoke this acceptance, if it is determined by Miami-Dade County Product Control Division that this product or material fails to meet the requirements of the applicable building code.

This product is approved as described herein, and has been designed to comply with the Florida Building Code, including High Velocity Hurricane Zone of the Florida Building Code.

DESCRIPTION: Series 370 Aluminum Sliding Glass Door w/ reinforcements-Impact

APPROVAL DOCUMENT: Drawing No. **W03-90**, titled "Series-370 Alum Sliding Door-LMI", sheets 1 through 7 of 7, prepared by Al Farooq Corporation, dated 10/06/03 and last revised on MAR 10, 2009, signed and sealed by Dr. Humayoun Farooq, P.E., bearing the Miami-Dade County Product Control Renewal stamp with the Notice of Acceptance number and expiration date by the Miami-Dade County Product Control Division.

MISSILE IMPACT RATING: Large and Small Missile Impact Resistant

Limitation:

1. Two (2) ¼" masonry screws must have min embedment of 1-5/8" into concrete or grout filled masonry.
2. Pockets are under separate approval.

LABELING: Each unit shall bear a permanent label with the manufacturer's name or logo, city, state and following statement: "Miami-Dade County Product Control Approved", unless otherwise noted herein.

RENEWAL of this NOA shall be considered after a renewal application has been filed and there has been no change in the applicable building code negatively affecting the performance of this product.

TERMINATION of this NOA will occur after the expiration date or if there has been a revision or change in the materials, use, and/or manufacture of the product or process. Misuse of this NOA as an endorsement of any product, for sales, advertising or any other purposes shall automatically terminate this NOA. Failure to comply with any section of this NOA shall be cause for termination and removal of NOA.

ADVERTISEMENT: The NOA number preceded by the words Miami-Dade County, Florida, and followed by the expiration date may be displayed in advertising literature. If any portion of the NOA is displayed, then it shall be done in its entirety.

INSPECTION: A copy of this entire NOA shall be provided to the user by the manufacturer or its distributors and shall be available for inspection at the job site at the request of the Building Official.

This NOA **revises & renews NOA # 05-1114.06** & consists of this page 1 and evidence page E-1, as well as, approval document mentioned above.

The submitted documentation was reviewed by **Ishaq I. Chanda, P.E.**



NOA No 09-0319.06
Expiration Date: March 18, 2014
Approval Date: April 22, 2009
Page 1

3/20/09

NOTICE OF ACCEPTANCE: EVIDENCE SUBMITTED

A. DRAWINGS(transferred from file # **05-1114.06**)

1. Manufacturer's die drawings and sections.
2. Drawing No. **W03-90**, titled "Series-370 Alum Sliding Door-LMP", sheets 1 through 7 of 7, prepared by Al Farooq Corporation, dated 10/06/03 and last revised on MAR 10, 2009, signed and sealed by Dr. Humayoun Farooq, P.E.

B. TESTS (transferred from file # **05-1114.06**)

1. Test reports on 1) Air Infiltration Test, per TAS 202-94
2) Uniform Static Air Pressure Test, Loading per TAS 202-94
3) Water Resistance Test, per TAS 202-94.
4) Forced Entry Test per FBC 2411.3.2.1 and TAS202-94.
5) Large Missile Impact Test, per TAS 201-94
6) Cyclic Wind Pressure Loading, per TAS 203-94

Along with marked-up drawings and installation diagram of an aluminum sliding glass door, prepared by Fenestration Testing Laboratories, Test Report No. **FTL-3773 (FTL03062)**, dated August 04, 2003, signed and sealed by Joseph Chan, P.E.

Note: This report has been revised by an addendum letter dated January 26, 2004, issued by Fenestration Testing laboratory, signed and sealed by Edmundo Largaespada, P. E. based on the review of the test report.

C. CALCULATIONS

1. Anchor verification complying to FBC 2007, prepared by Al Farooq Corporation, dated 03/10/2009, signed and sealed by Dr. Humayoun Farooq, P.E
2. Anchor, calculation and structural analysis, prepared by Al Farooq Corporation, dated 10/29/2003 and last revised on 03-18-04, signed and sealed by Dr. Humayoun Farooq, P.E. (Submitted under file # **05-1114.06**)
3. Glazing complies with ASTM E-1300-02 & -04.

D. QUALITY ASSURANCE BY:

1. Miami-Dade County Building Code Compliance Office (BCCO)

E. MATERIAL CERTIFICATIONS

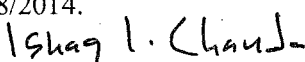
1. Notice of Acceptance No. **06-0216.06** for "Saflex IIIIG, clear & colored interlayer" issued to Solutia Inc., expiring on 05/21/2011.
2. Notice of Acceptance No. **09-0310.02**(Rev **03-1223.04**, former Surface Specialties Tech) issued to Cytec industries Inc. for "Uvekoll Laminated glass, expiring on 02/08/2010.

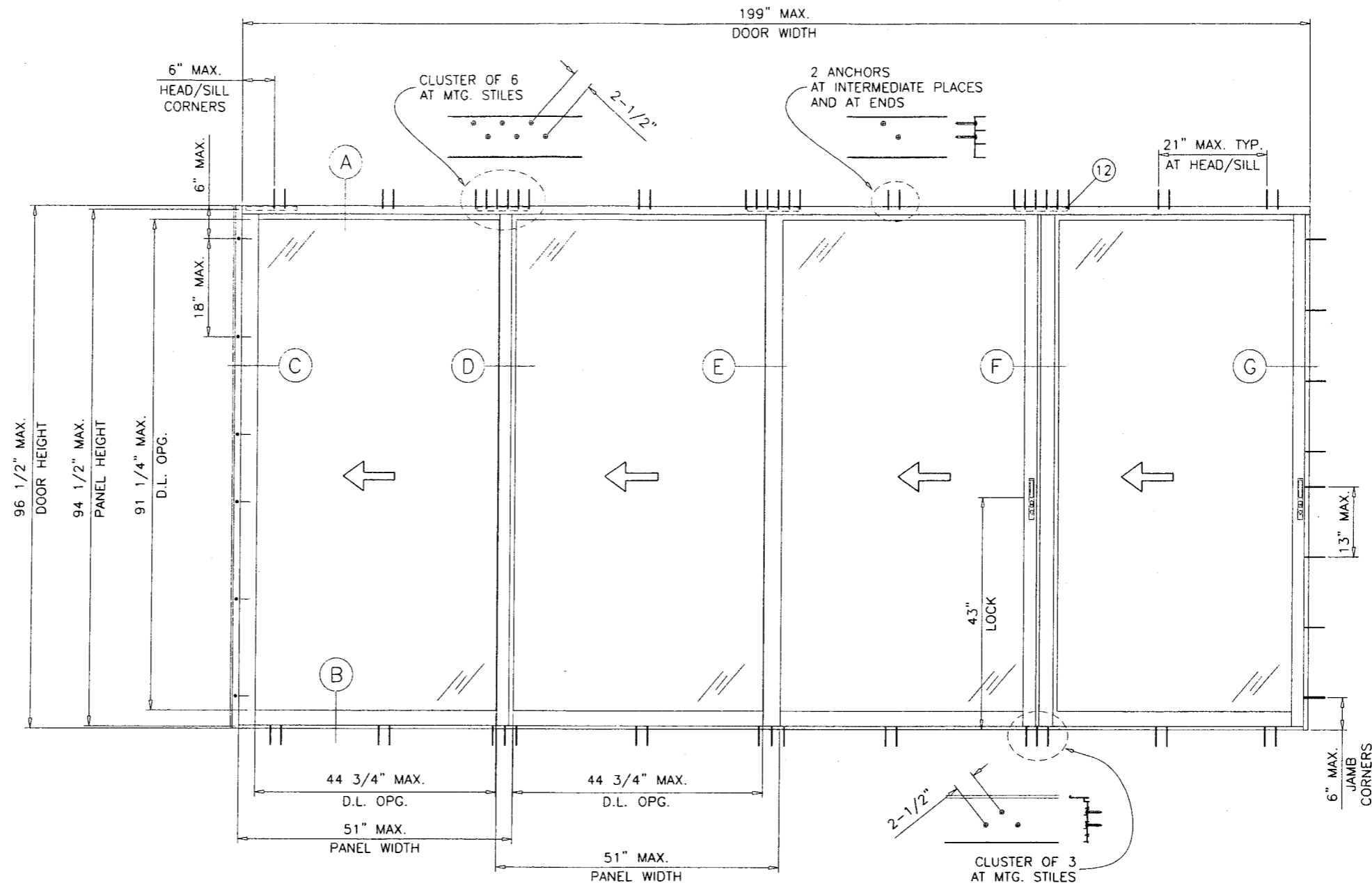
F. STATEMENTS

1. Statement letter of conformance to FBC 2007 and "No financial interest", both dated 03/10/09, signed and sealed by Dr. Humayoun Farooq, P.E.
2. Laboratory compliance, as a part of above test reports.
3. Addendum letter to test report FTL-3773, dated Jan 26, 2004, issued by Fenestration Testing laboratory, signed & sealed by Edmundo Largaespada, P. E.
4. Statement letter/ list of approved "UVEKOLL" laminator, issued by Surface Specialties (UCB Chemical Corp), signed by Jonathan Shaw, Ph.D. (transferred from file # **05-1114.06**)

G. OTHER

1. This NOA revises & renews NOA # **05-1114.06**, expiring 03/18/2014.


Ishaq I. Chanda, P.E.
Product Control Examiner
NOA No 09-0319.06
Expiration Date: March 18, 2014
Approval Date: April 22, 2009



TYPICAL ELEVATION
TESTED UNIT

SERIES-370 ALUM. SLIDING GLASS DOOR (L.M.I.)

DESIGN LOAD RATING FOR THESE DOORS TO BE AS PER CHART SHOWN ON SHEET 2

THIS PRODUCT HAS BEEN DESIGNED AND TESTED TO COMPLY WITH THE REQUIREMENTS OF THE FLORIDA BUILDING CODE 2004/2007 EDITION INCLUDING HIGH VELOCITY HURRICANE ZONE (HVHZ).

WOOD BUCKS BY OTHERS, MUST BE ANCHORED PROPERLY TO TRANSFER LOADS TO THE STRUCTURE.

ANCHORS SHALL BE AS LISTED, SPACED AS SHOWN ON DETAILS, ANCHORS EMBEDMENT TO BASE MATERIAL SHALL BE BEYOND WALL DRESSING OR STUCCO.

ANCHORING OR LOADING CONDITIONS NOT SHOWN IN THESE DETAILS ARE NOT PART OF THIS APPROVAL.

A LOAD DURATION INCREASE IS USED IN DESIGN OF ANCHORS INTO WOOD ONLY.

MATERIALS INCLUDING BUT NOT LIMITED TO STEEL/METAL SCREWS, THAT COME INTO CONTACT WITH OTHER DISSIMILAR MATERIALS SHALL MEET THE REQUIREMENTS OF 2004/2007 FLORIDA BLDG. CODE SECTION 2003.8.4.

THESE DOORS ARE RATED FOR LARGE AND SMALL MISSILE IMPACT AND REQUIRE NO SHUTTERS.

Engr: DR. HUMAYUN FAROOQ
STRUCTURES
FLA. PE # 16557
C.A.N. 3538

MAR 10 2009

PRODUCT RENEWED
as complying with the Florida
Building Code
Acceptance No. 09-0319.06
Expiration Date MAR 18, 2014
By Ishag I. Chande
Miami Dade Product Control
Division

af c
AL-FAROOQ CORPORATION
ENGINEERS & PRODUCT DEVELOPMENT
1235 S.W. 87 AVE
MIAMI, FLORIDA 33174
TEL. (305) 264-8100 FAX. (305) 262-6978
COMP - ANL \ W03-90TAW

SERIES-370 ALUM. SLIDING GLASS DOOR (L.M.I.)
TM WINDOW AND DOOR
601 N.W. 12TH AVE.
POMPANO BEACH, FL. 33069
TEL. (954) 781-4430 FAX. (954) 781-5078

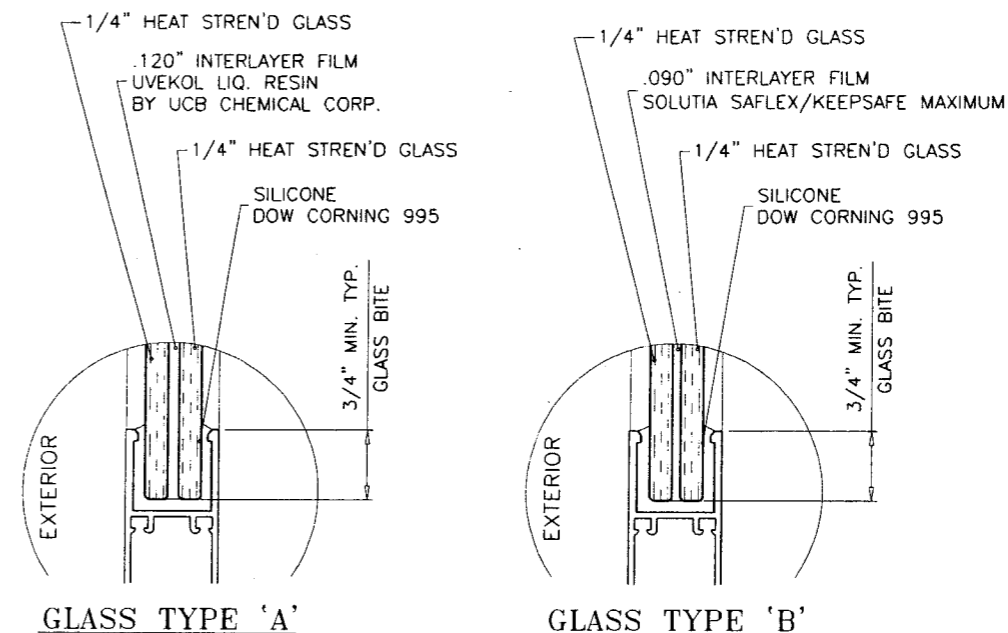
no.	date	description
A	01.27.04	REV. PER BCCO COMMENTS
B	03.02.04	REV. PER BCCO COMMENTS
C	10.12.05	UPDATED FOR 2004 FBC
D	03.06.09	UPDATED FOR 2007 FBC

date: 10-06-03
scale: 1/2" = 1'-0"
dr. by: HAMID
chk. by:

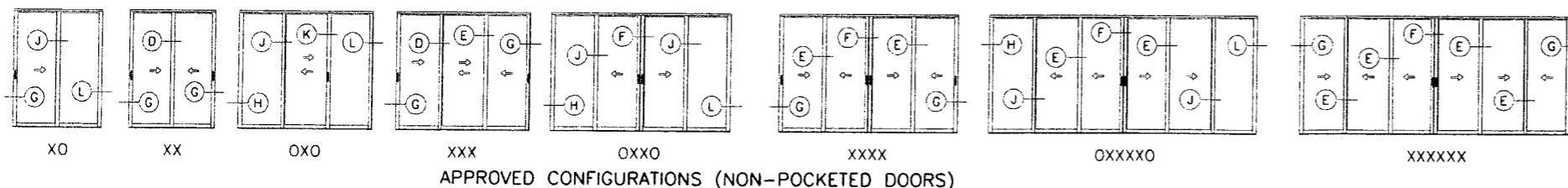
drawing no.
W03-90
sheet 1 of 7

DESIGN LOAD CAPACITY - PSF			
PANEL WIDTH NOMINAL FT./IN.	DOOR HEIGHT FT./IN.	GLASS TYPE 'A' OR 'B'	
		EXT. (+)	INT. (-)
2/6	6/8	72.0	72.0
3/0		72.0	72.0
3/6		72.0	72.0
4/0		72.0	72.0
4/6		72.0	72.0
2/6	8/0	72.0	72.0
3/0		72.0	72.0
3/6		72.0	72.0
4/0		72.0	72.0

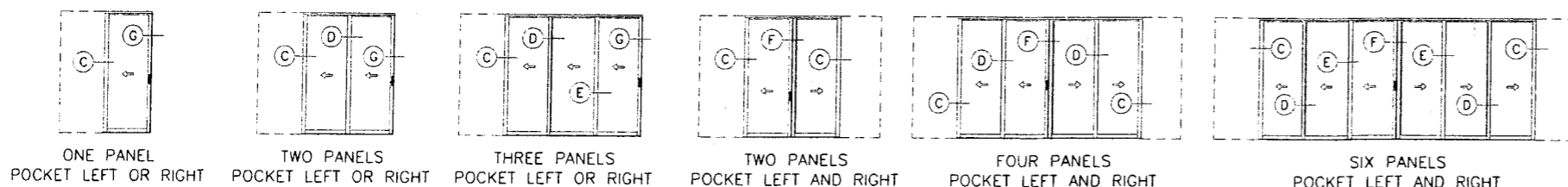
NOTE:
GLASS CAPACITIES ON THIS SHEET ARE
BASED ON ASTM E1300-02/04 (3 SEC. GUSTS)
AND FLORIDA BUILDING COMMISSION
DECLARATORY STATEMENT DCA05-DEC-219



GLAZING OPTIONS



APPROVED CONFIGURATIONS (NON-POCKETED DOORS)



APPROVED CONFIGURATIONS (POCKETED DOORS)

PRODUCT RENEWED
as complying with the Florida
Building Code
Acceptance No. 09-0319-06
Expiration Date MAR 19, 2014
By V. S. G. I. Chande
Miami Dade Product Control
Division

Engr: DR. HUMAYOUN FAROOQ
STRUCTURES
FLA. PE # 16557
C.A.N. 3538

[Signature]
MAR 10 2009

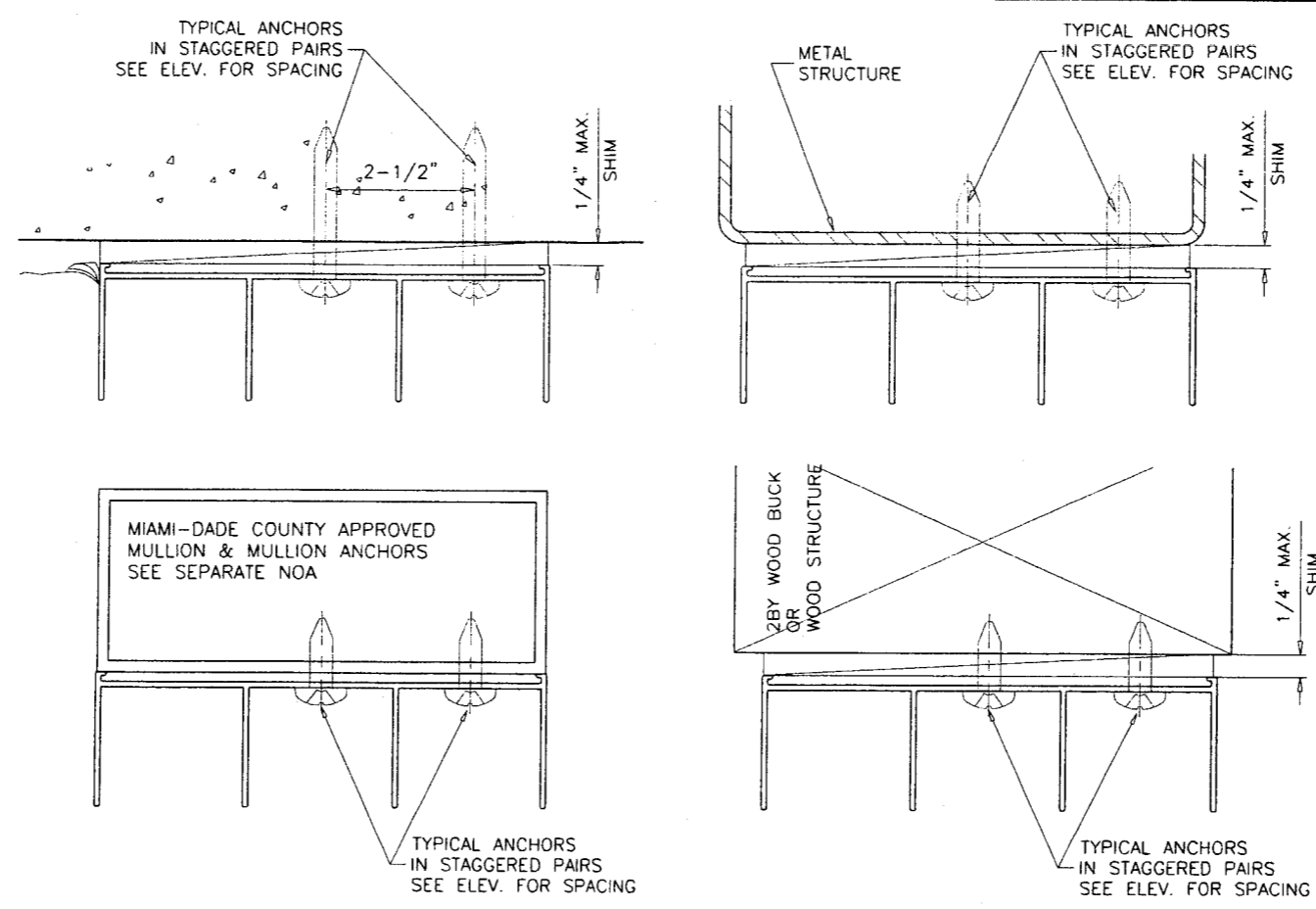
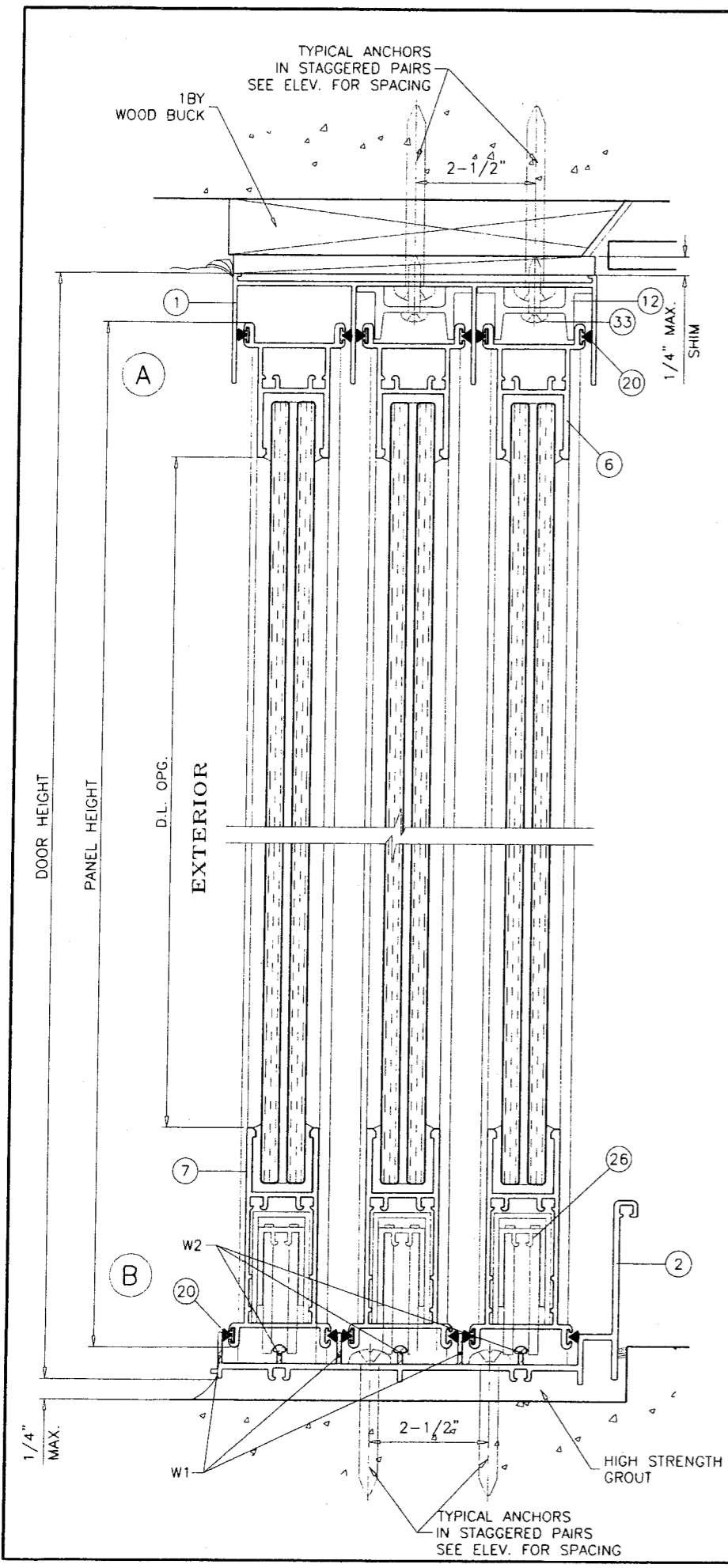
af c
AL-FAROOQ CORPORATION
ENGINEERS & PRODUCT DEVELOPMENT
1235 S.W. 87 AVE
MIAMI, FLORIDA 33174
TEL. (305) 264-8100 FAX. (305) 262-6978
COMP - ANL \ W03-90T MW

SERIES-370 ALUM. SLIDING GLASS DOOR (L.M.I.)
TM WINDOW AND DOOR
601 N.W. 12TH AVE.
POMPANO BEACH, FL. 33069
TEL. (954) 781-4430 FAX. (954) 781-5078

revisions:	no	date	description
	0	03.06.09	UPDATED FOR 2007 FBC

date: 10-06-03
scale: 1/2" = 1"
dr. by: HAMID
chk. by:

drawing no.
W03-90



WOOD BUCKS AND METAL STRUCTURE NOT BY TM WINDOWS MUST SUSTAIN LOADS IMPOSED BY GLAZING SYSTEM AND TRANSFER THEM TO THE BUILDING STRUCTURE.

TYPICAL ANCHORS: SEE ELEV. FOR SPACING
1/4" DIA. TAPCON BY 'ITW' (Fu=120 KSI, Fy=92 KSI)
1/4" DIA. ULTRACON BY 'ELCO' (Fu=177 KSI, Fy=155 KSI)
 INTO 2BY WOOD BUCKS OR WOOD STRUCTURES
 1-1/2" MIN. PENETRATION INTO WOOD
 THRU 1BY BUCKS INTO CONC. OR MASONRY
 1-1/4" MIN. EMBED INTO CONC. OR MASONRY
 DIRECTLY INTO CONC. OR MASONRY
 1-5/8" MIN. EMBED INTO CONC. OR MASONRY
1/4" TEKS OR SELF DRILLING SCREWS (GRADE 5 CRS)
 INTO METAL STRUCTURES
 STEEL : 12 GA. MIN. (Fy = 36 KSI MIN.)
 ALUMINUM : 1/8" THK. MIN. (6063-T5 MIN.)
 (STEEL IN CONTACT WITH ALUMINUM TO BE PLATED OR PAINTED)
#14 SMS OR SELF DRILLING SCREWS
 INTO MIAMI-DADE COUNTY APPROVED MULLIONS (MIN. THK. = .100")
 (NO SHIM SPACE)
TYPICAL EDGE DISTANCE
 INTO CONCRETE AND MASONRY = 2-1/2" MIN.
 INTO WOOD STRUCTURE = 1" MIN.
 INTO METAL STRUCTURE = 3/4" MIN.
 CONCRETE f'c = 3000 PSI MIN.
 MASONRY f'm = 1500 PSI MIN.

PRODUCT RENEWED
 as complying with the Florida
 Building Code
 Acceptance No. 09-0319-06
 Expiration Date MAR 18, 2014
 By Ishag J. Chande
 Miami-Dade Product Control
 Division

SEALANTS:
 FRAME AND PANEL CORNERS AND INSTALLATION SCREWS
 AT SILL AND JAMBS SEALED WITH JOINT SEALANT.

WEEPHOLES:
 W1 = (6) 1" WEEP NOTCH AT EACH END OF SILL
 W2 = (6) 1" WEEP NOTCH AT EACH END OF SILL

Engr: DR. HUMAYOON FAROOQ
 STRUCTURES
 FLA. PE # 16557
 C.A.N. 3538

[Signature]

MAR 10 2009

afC

AL-FAROOQ CORPORATION
 ENGINEERS & PRODUCT DEVELOPMENT
 1235 S.W. 87 AVE
 MIAMI, FLORIDA 33174
 TEL. (305) 264-8100 FAX. (305) 262-6978
 COMP - ANL \ W03 - 90TMW

SERIES-370 ALUM. SLIDING GLASS DOOR (L.M.I.)

TM WINDOW AND DOOR
 601 N.W. 12TH AVE.
 POMPANO BEACH, FL. 33069
 TEL. (954) 781-4430 FAX. (954) 781-5078

no	date	description
A	01.27.04	REV. PER BCCO COMMENTS
B	03.02.04	REV. PER BCCO COMMENTS
C	10.12.05	NO CHANGE THIS SHEET
D	03.06.09	UPDATED FOR 2007 FBC

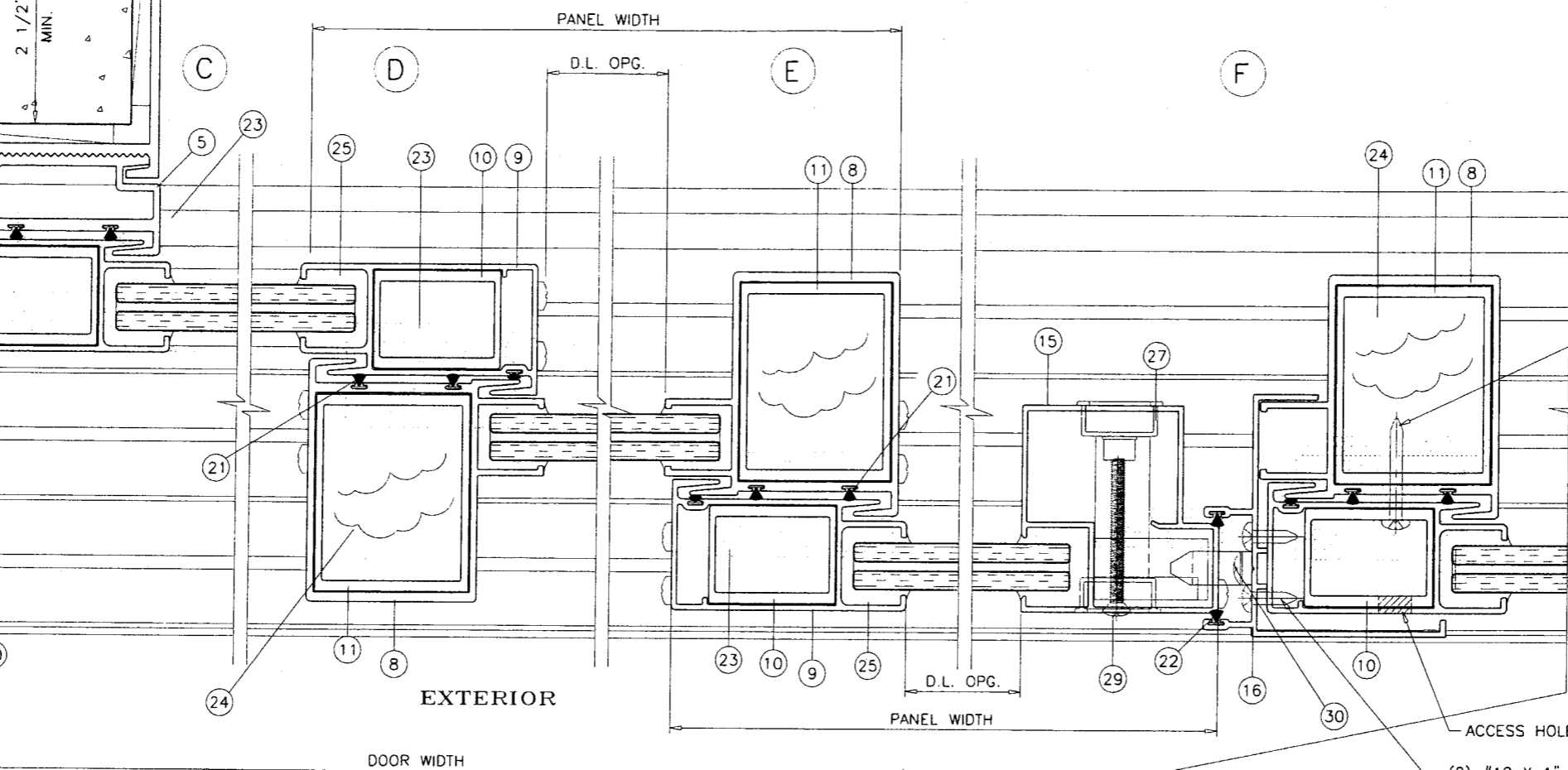
revisions:

date: 10-06-03
 scale: 1/2" = 1"
 dr. by: HAMID
 chk. by:

drawing no. **W03-90**

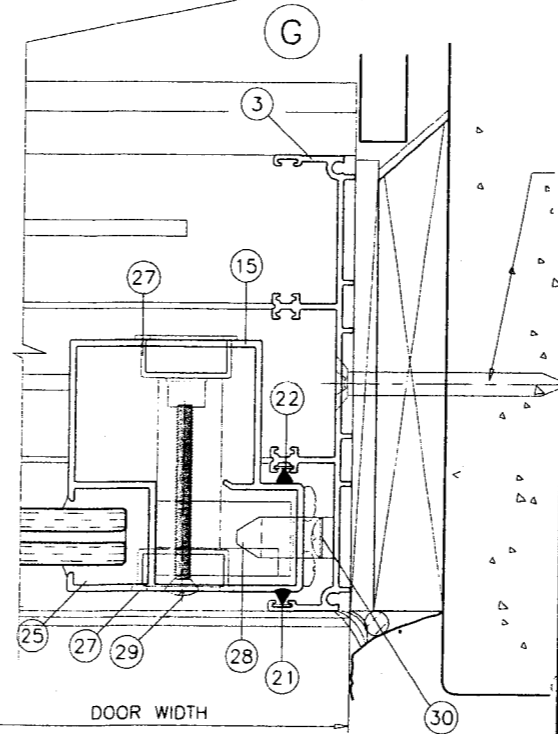
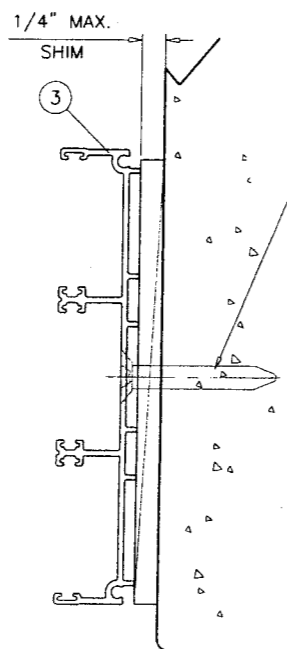
sheet 3 of 7

TYPICAL ANCHORS
AT 18" O.C.
SEE ELEV.



(3) #10 X 2"
SELF DRILLING SCREWS
AT 10" FROM EACH END
& ONE AT MIDSPAN

(2) #10 X 1" SMS
AT TOP & BOTTOM RAILS



Engr: DR. HUMAYOUN FAROOQ
STRUCTURES
FLA. PE # 16557
C.A.N. 3538

MAR 1 0 2008

PRODUCT RENEWED
as complying with the Florida
Building Code
Acceptance No. 09-0319-06
Expiration Date MAR 18, 2014
By Shag I. Chande
Miami Dade Product Control
Division

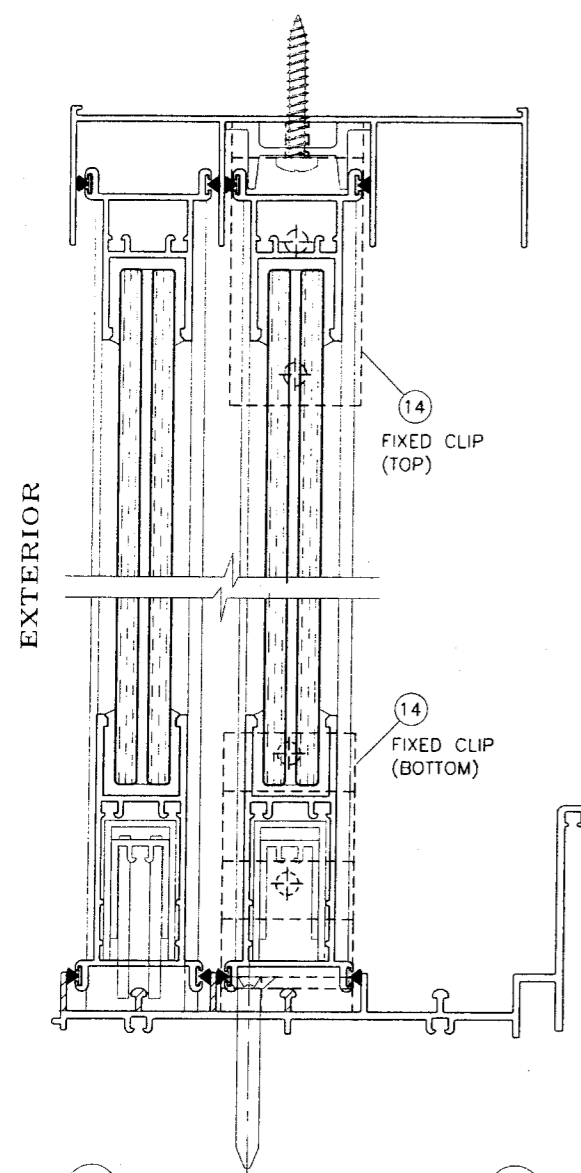
af c
AL-FAROOQ CORPORATION
ENGINEERS & PRODUCT DEVELOPMENT
1235 S.W. 87 AVE
MIAMI, FLORIDA 33174
TEL. (305) 264-8100 FAX (305) 262-6978
COMP-ANI\W03-90TMW

SERIES-370 ALUM. SLIDING GLASS DOOR (L.M.I.)
TM WINDOW AND DOOR
601 N.W. 12TH AVE.
POMPANO BEACH, FL. 33069
TEL. (954) 781-4430 FAX. (954) 781-5078

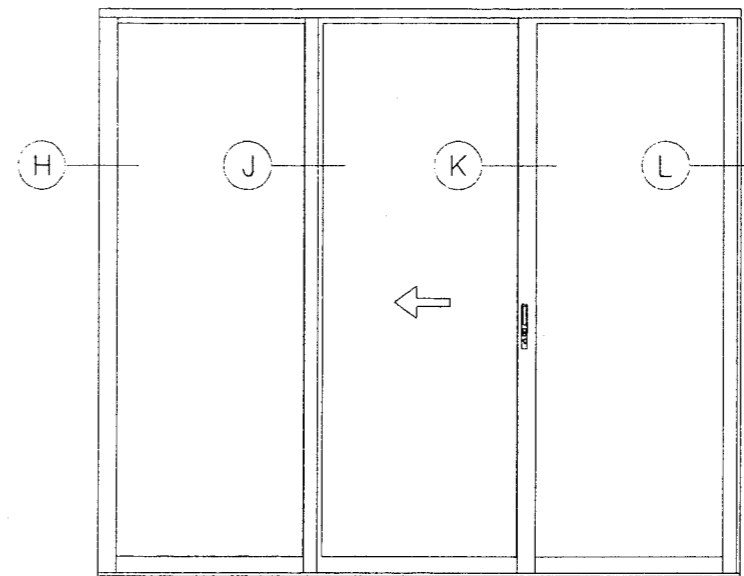
no	date	by	description
A	01.27.04	REV. PER BCCO COMMENTS	
B	03.02.04	REV. PER BCCO COMMENTS	
C	10.12.05	NO CHANGE THIS SHEET	
D	03.06.09	UPDATED FOR 2007 FBC	

date: 10-06-03
scale: 1/2" = 1"
dr. by: HAMID
chk. by:

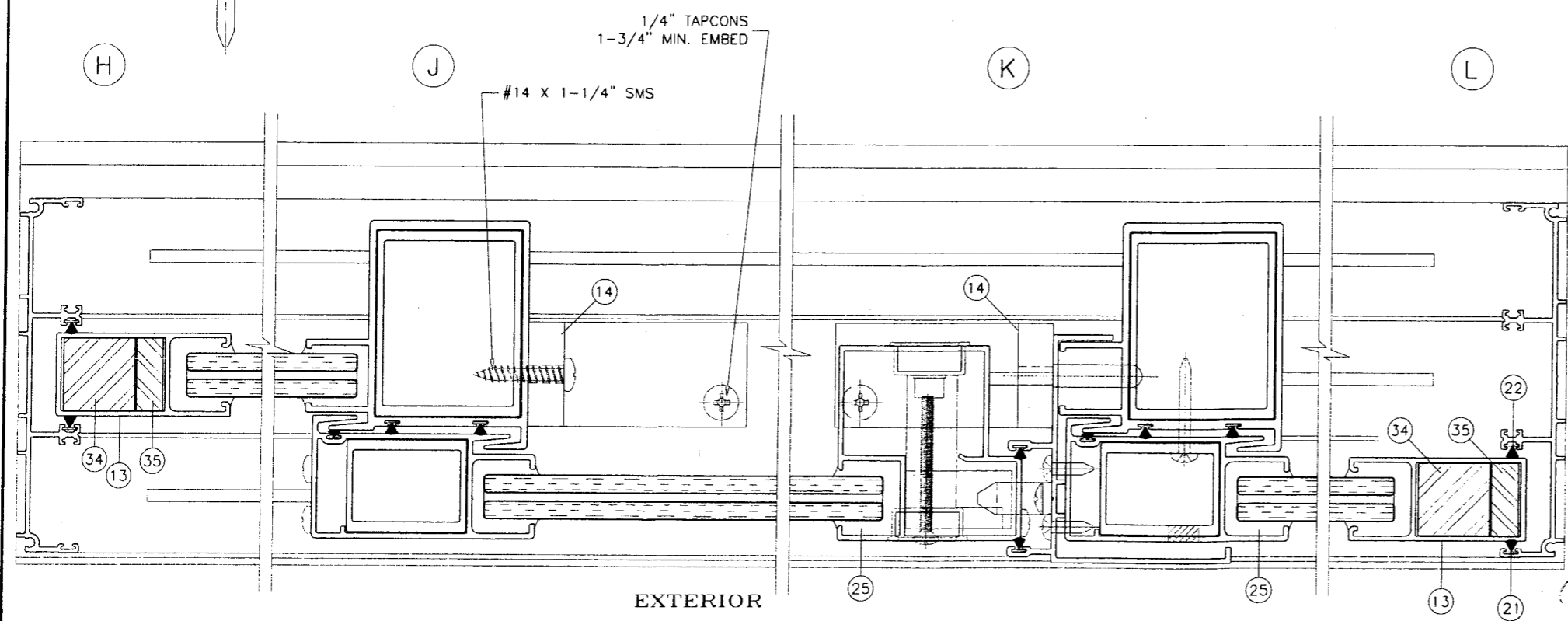
drawing no.
W03-90
sheet 4 of 7



FIXED PANEL INSTALLATION DETAILS



OXO
OR OXO REVERSE



PRODUCT RENEWED
as complying with the Florida
Building Code
Acceptance No. 04-0319-06
Expiration Date *MAR 19, 2014*
By *Ishag I. Chan*
Miami Bada Product Control
Division

Engr. DR. HUMAYOUN F. ROOQ
STRUCTURES
FLA. PE # 16557
C.A.N. 3538

MAR 10 2009

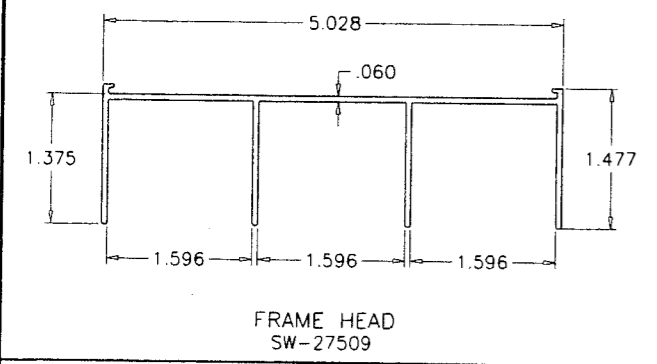
afc
AL-FAROOQ CORPORATION
ENGINEERS & PRODUCT DEVELOPMENT
1235 S.W. 87 AVE
MIAMI, FLORIDA 33174
TEL. (305) 264-8100 FAX. (305) 262-6978
COMP - ANL \ W03 - 90TMW

SERIES-370 ALUM. SLIDING GLASS DOOR (L.M.I.)
TM WINDOW AND DOOR
601 N.W. 12TH AVE.
POMPANO BEACH, FL. 33069
TEL. (954) 781-4430 FAX. (954) 781-5078

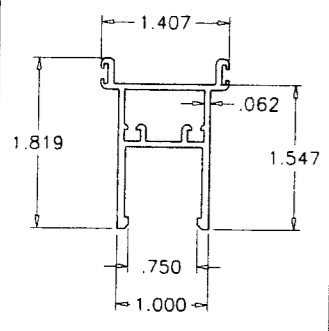
no.	date	description
A	01.27.04	THIS SHEET ADDED
B	03.02.04	REV. PER BCCO COMMENTS
C	10.12.05	NO CHANGE THIS SHEET
D	03.06.09	UPDATED FOR 2007 FBC

date: 10-06-03
scale: 1/2" = 1"
dr. by: HAMID
chk. by:

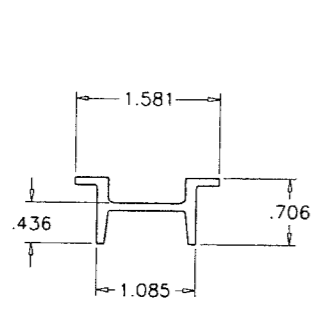
drawing no.
W03-90
sheet 5 of 7



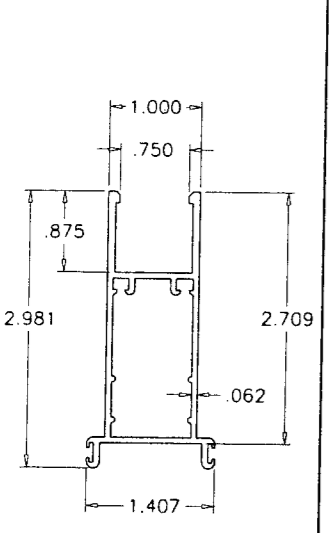
FRAME HEAD
SW-27509



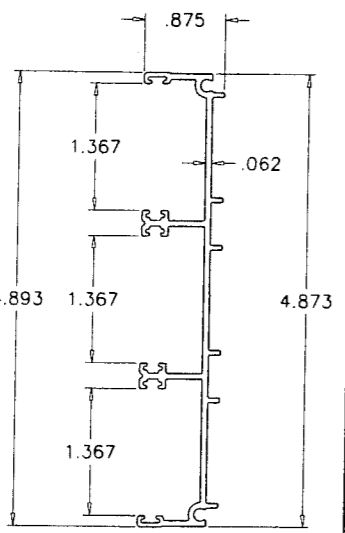
PANEL TOP RAIL
GW 37632



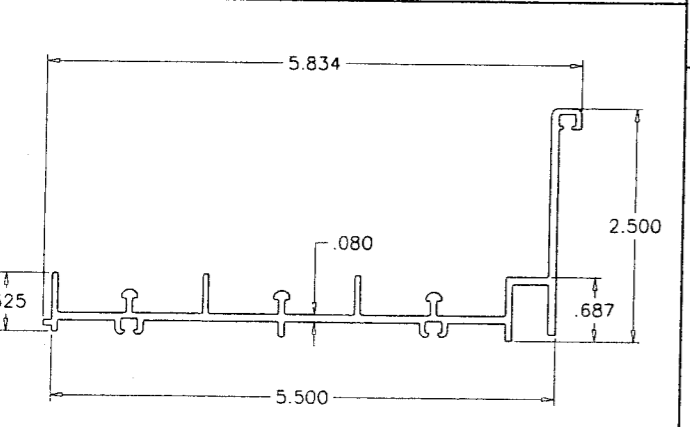
TOP CLIP
TM-110



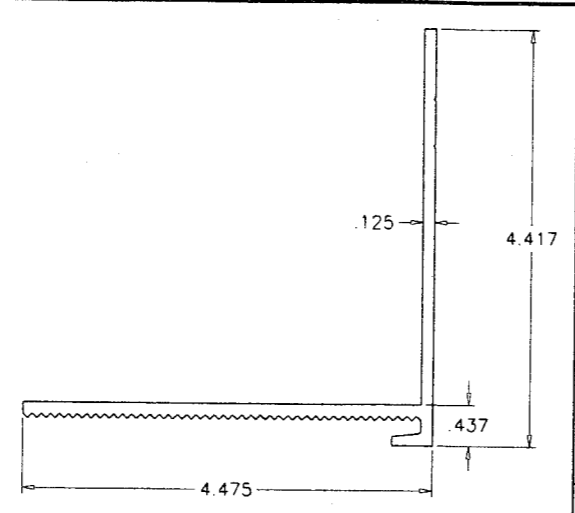
PANEL BOTTOM RAIL
GW 37624



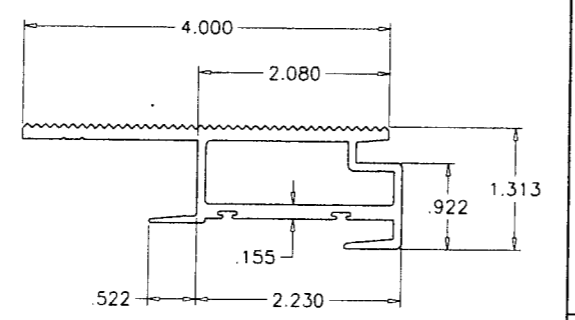
DOOR FRAME JAMB
GW-31172



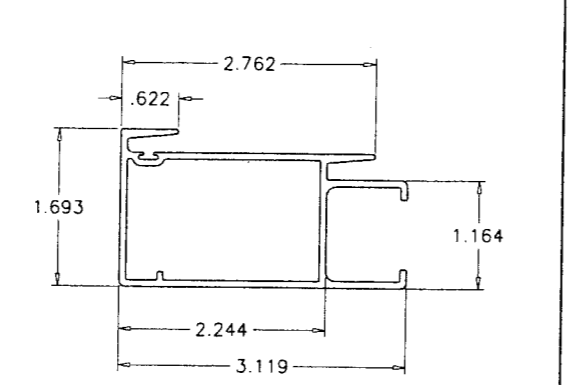
FRAME SILL
TM-111



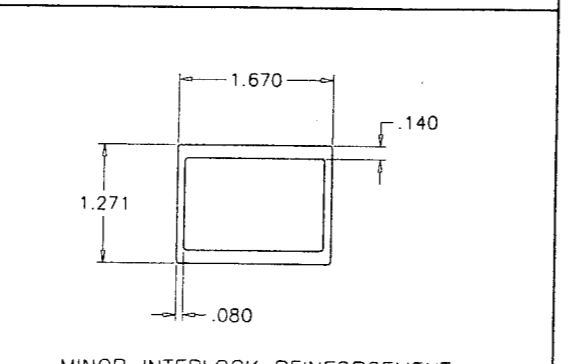
WALL ANGLE BRACKET
TM-104
LENGTH = PANEL HT.



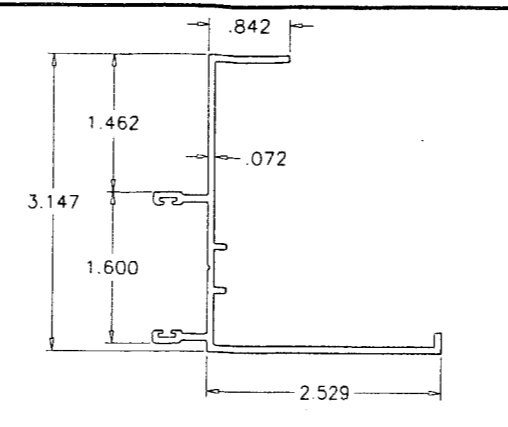
WALL INTERLOCK
TM-105



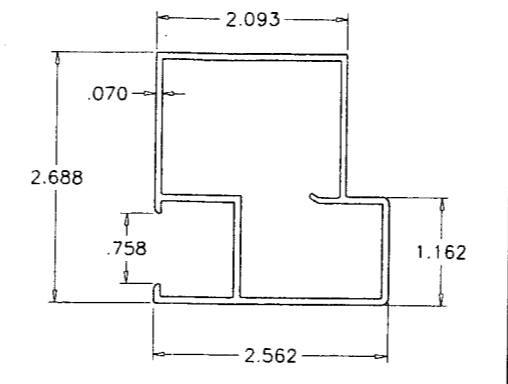
POCKET MINOR INTERLOCK
TM-106



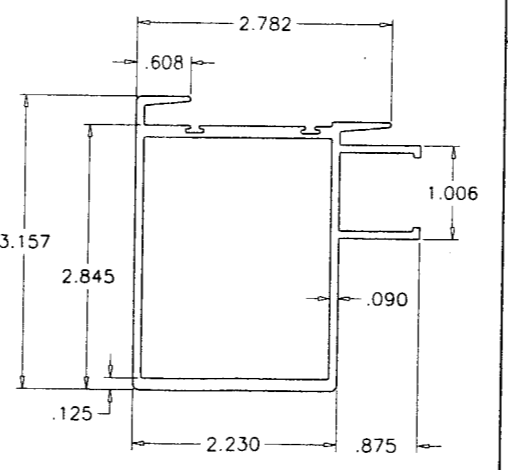
MINOR INTERLOCK REINFORCEMENT
TM-107
LENGTH = PANEL HT. - 4.5"



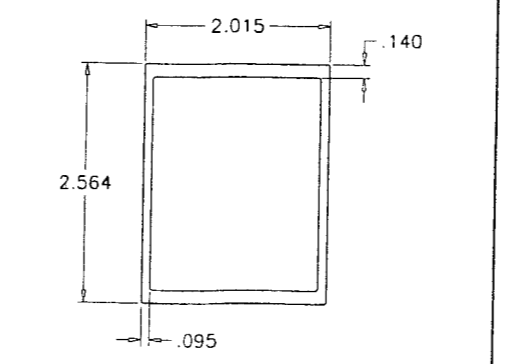
STILE ADAPTER
GW 37629



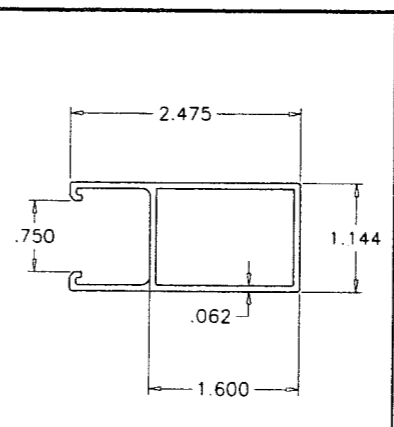
MALE BUTT STILE/LOCK STILE
GW 37623



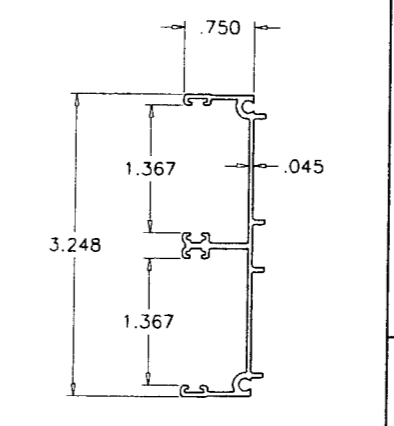
POCKET MAJOR INTERLOCK/ASTRAGAL
TM-108



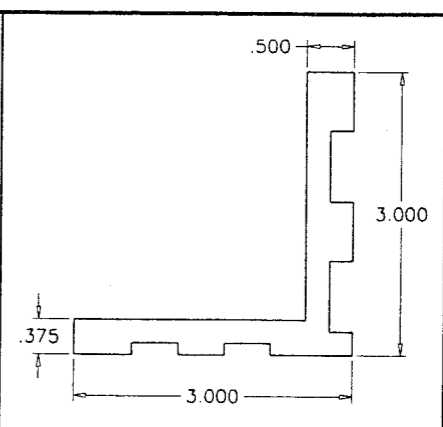
MAJOR INTERLOCK REINFORCEMENT
TM-109



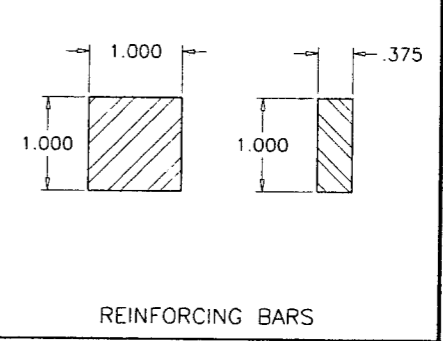
FIX. PANEL STILE
GW 37637



DOOR FRAME JAMB
GW 34977



FIX. PANEL CLIP
GW 37743



REINFORCING BARS

Engr: DR. HUMAYOUN FAROOQ
STRUCTURES
FLA. PE # 16557
C.A.N. 3538

MAR 10 2009

PRODUCT RENEWED
as complying with the Florida
Building Code
Acceptance No. 09-0319.06
Expiration Date MAR 19, 2014
By Ishaq I. Lhanda
Miami Dade Product Center
Division

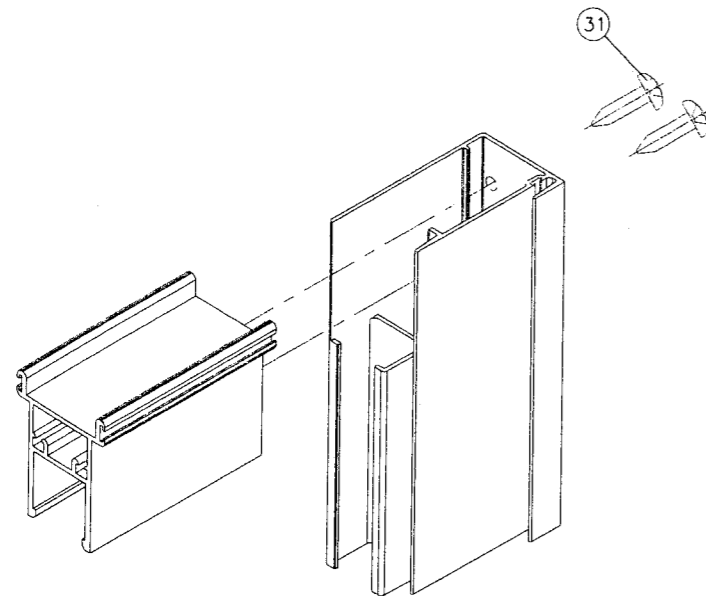
afC
AL-FAROOQ CORPORATION
ENGINEERS & PRODUCT DEVELOPMENT
1235 S.W. 87 AVE
MIAMI, FLORIDA 33174
TEL. (305) 264-8100 FAX. (305) 262-6978
COMP - ANL \W03-90TMW

SERIES-370 ALUM. SLIDING GLASS DOOR (L.M.I.)
TM WINDOW AND DOOR
601 N.W. 12TH AVE.
POMPANO BEACH, FL. 33069
TEL. (954) 781-4430 FAX. (954) 781-5078

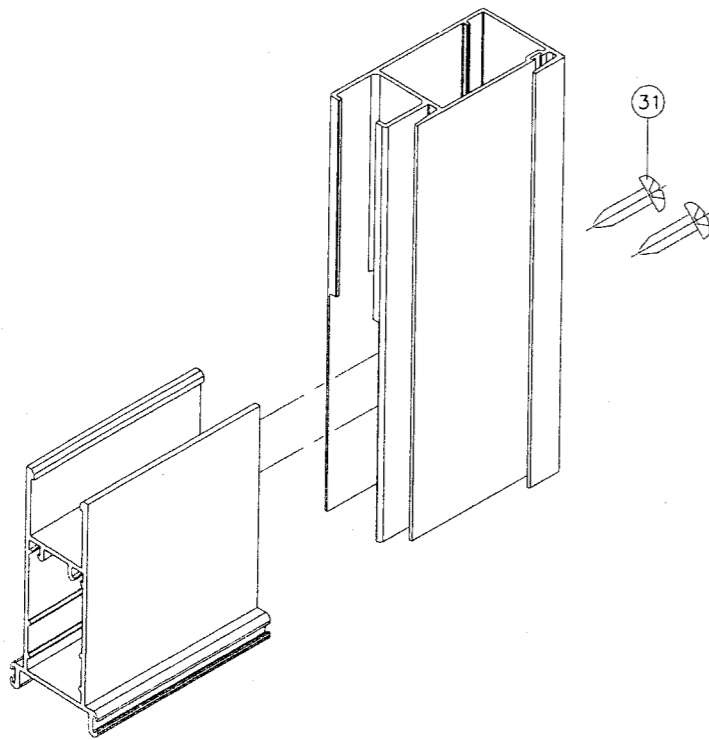
no	date	description
A	01.27.04	REV. PER BCCO COMMENTS
B	03.02.04	REV. PER BCCO COMMENTS
C	10.12.05	NO CHANGE THIS SHEET
D	03.06.09	UPDATED FOR 2007 FBC

date: 10-06-03
scale: 1/2" = 1"
dr. by: HAMID
chk. by:

drawing no.
W03-90
sheet 6 of 7



PANEL TOP CORNER



PANEL BOTTOM CORNER

ITEM No.	PART No.	QUANTITY	DESCRIPTION	MATERIAL	MANF./SUPPLIER/REMARKS
1	SW-27509	1	FRAME HEAD (3 TRACKS)	6063-T6	XXX
2	TM-111	1	FRAME SILL (3 TRACKS)	6063-T6	XXX
3	GW-31172	1	FRAME JAMB (3 TRACKS)	6063-T6	XXX
3A	GW 34977	1	FRAME JAMB (2 TRACKS)	6063-T6	XXX
4	TM-104	AS REQD.	WALL ANGLE BRACKET	6063-T6	XXX
5	TM-105	AS REQD.	WALL INTERLOCK	6063-T6	XXX
6	GW-37632	1/ PANEL	TOP RAIL	6063-T6	XXX
7	GW-37624	1/ PANEL	BOTTOM RAIL	6063-T6	XXX
8	TM-108	AS REQD.	POCKET MAJOR INTERLOCK	6063-T6	XXX
9	TM-106	AS REQD.	POCKET MINOR INTERLOCK	6063-T6	XXX
10	TM-107	1/ INTERLOCK	MINOR INTERLOCK REINFORCEMENT	6063-T6	FULL LENGTH
11	TM-109	1/ INTERLOCK	MAJOR INTERLOCK REINFORCEMENT	6063-T6	FULL LENGTH
12	TM-110	7	TOP CLIP, 9-1/2" LONG	6063-T6	1 EACH ABOVE ALL INTERLOCKING & FEMALE STILES
13	GW 37637	AS REQD.	FIXED PANEL STILE	6063-T6	XXX
14	GW 37743	AS REQD.	FIX. PANEL CLIP	ALUMINUM	XXX
15	GW-37623	AS REQD.	MALE BUTT STILE	6063-T6	PANEL LOCK SIDES
16	GW-37629	AS REQD.	STILE ADAPTER	6063-T6	PANEL ASTRAGAL
20	4020-PILE	1 ROW	"ULTRAFAB" FIN SEAL WEATHERSTRIP	WOOL	TOP & BOTTOM RAILS
21	4037-PILE	2 ROWS	"ULTRAFAB" FIN SEAL WEATHERSTRIP	WOOL	INTERIOR INTERLOCK STILES/FRAME JAMBS
22	4020-PILE	1 ROW	"ULTRAFAB" FIN SEAL WEATHERSTRIP	WOOL	FRAME JAMBS/ASTRAGAL
23	XXX	AS REQD.	3/4 x 2 1/2" LG. SELF-ADHESIVE FIN SEAL PAD	WOOL	XXX
24	XXX	AS REQ'D	POLYURETHANE SEALANT	FOAM	ENDS/INTERLOCKS
25	DOW 995	AS REQ'D	STRUCTURAL SILICONE	SILICONE	PANELS
26	TM-36205	2/ PANEL	TM TANDEM ROLLER ASSEMBLY	ALUM/NYLON	BOTTOM OF PANELS
27	TM-32476	2	TM LATCH ASSEMBLY	ALUM/VINYL	MALE ASTRAGAL
28	TM-32424	2	TM KEEPER	ALUMINUM	FEMALE ASTRAGAL
29	XXX	2/LATCH	#10 X 2" OH. MS. ASSEMBLY SCREW	STEEL	LATCH ASSY.
30	XXX	2/KEEPER	#10 x 1/2" TR. HD. KEEPER INST. SCREW	STEEL	FEMALE ASTRAGAL
31	XXX	8/PANEL	#10 x 1" PH. SMS. PANEL ASSY. SCREW	STEEL	PANEL CORNERS
33	XXX	2/CLIP	#10 x 1" PH. SMS. TOP CLIP INST. SCREW	STEEL	HEAD INTERLOCKS
34	XXX	AS REQD.	1" X 1" REINFORCING BAR	STEEL	AT FIX. PANEL STILE
35	XXX	AS REQD.	3/8" X 1" REINFORCING BAR	STEEL	AT FIX. PANEL STILE

PRODUCT RENEWED
 as complying with the Florida
 Building Code
 Acceptance No. 09-0319-06
 Expiration Date MAR 19, 2014
 By Shag I. Chante
 Miami Desk Product Design
 Division

Engr. DR. HUMAYOUN FAROOQ
 STRUCTURES
 FLA. PE # 16557
 C.A.N. 3538

MAR 10 2009

afc
AL-FAROOQ CORPORATION
 ENGINEERS & PRODUCT DEVELOPMENT
 1235 S.W. 87 AVE
 MIAMI, FLORIDA 33174
 TEL. (305) 264-8100 FAX. (305) 262-6978
 COMP-ANI\W03-90TMW

SERIES-370 ALUM. SLIDING GLASS DOOR (L.M.I.)

TM WINDOW AND DOOR
 601 N.W. 12TH AVE.
 POMPANO BEACH, FL. 33069
 TEL. (954) 781-4430 FAX. (954) 781-5078

no	date	by	description
A	01.27.04		REV. PER BCCO COMMENTS
B	03.02.04		REV. PER BCCO COMMENTS
C	10.12.05		NO CHANGE THIS SHEET
D	03.06.09		UPDATED FOR 2007 FBC

date: 10-06-03
 scale: 1/2" = 1"
 dr. by: HAMID
 chk. by:

drawing no.
W03-90

sheet 7 of 7