



MIAMI-DADE COUNTY
BUILDING CODE COMPLIANCE OFFICE (BCCO)
PRODUCT CONTROL DIVISION

MIAMI-DADE COUNTY, FLORIDA
METRO-DADE FLAGLER BUILDING
140 WEST FLAGLER STREET, SUITE 1603
MIAMI, FLORIDA 33130-1563
(305) 375-2901 FAX (305) 375-2908

NOTICE OF ACCEPTANCE (NOA)

www.buildingcodeonline.com

T. M. Window and Door
601 N. W. 12th Ave
Pompano Beach, Florida, 33609

SCOPE:

This NOA is being issued under the applicable rules and regulations governing the use of construction materials. The documentation submitted has been reviewed by Miami-Dade County Product Control Division and accepted by the Board of Rules and Appeals (BORA) to be used in Miami Dade County and other areas where allowed by the Authority Having Jurisdiction (AHJ).

This NOA shall not be valid after the expiration date stated below. The Miami-Dade County Product Control Division (In Miami Dade County) and/or the AHJ (in areas other than Miami Dade County) reserve the right to have this product or material tested for quality assurance purposes. If this product or material fails to perform in the accepted manner, the manufacturer will incur the expense of such testing and the AHJ may immediately revoke, modify, or suspend the use of such product or material within their jurisdiction. BORA reserves the right to revoke this acceptance, if it is determined by Miami-Dade County Product Control Division that this product or material fails to meet the requirements of the applicable building code.

This product is approved as described herein, and has been designed to comply with the Florida Building Code, including the High Velocity Hurricane Zone.

DESCRIPTION: Series "605 " Single Hung Aluminum Window (reinforced)

APPROVAL DOCUMENT: Drawing No. **W06-34.**, titled "Series 605 Aluminum Single Hung WDW.(LMI) ", sheets 1 through 8 of 8, prepared by Al-Farooq Corp., dated 04-24-06 and last revised on Aug. 12, 2009, signed and sealed by Arshad Viqar, P.E., bearing the Miami-Dade County Product Control Revision stamp with the Notice of Acceptance number and expiration date by the Miami-Dade County Product Control Division.

MISSILE IMPACT RATING: Large and Small Missile Impact Resistant

Limitation:

1. Exception: Glass **type I** (sheet 4) is **not** approved for Small Missile Impact Rating
2. Units installed with Fin-mount are limited to max Dp = +/- 61.0 psf.

RENEWAL of this NOA shall be considered after a renewal application has been filed and there has been no change in the applicable building code negatively affecting the performance of this product.

TERMINATION of this NOA will occur after the expiration date or if there has been a revision or change in the materials, use, and/or manufacture of the product or process. Misuse of this NOA as an endorsement of any product, for sales, advertising or any other purposes shall automatically terminate this NOA. Failure to comply with any section of this NOA shall be cause for termination and removal of NOA.

ADVERTISEMENT: The NOA number preceded by the words Miami-Dade County, Florida, and followed by the expiration date may be displayed in advertising literature. If any portion of the NOA is displayed, then it shall be done in its entirety.

INSPECTION: A copy of this entire NOA shall be provided to the user by the manufacturer or its distributors and shall be available for inspection at the job site at the request of the Building Official.

This NOA **revises** NOA # **07-0404.04 (06-0614.04)** consists of this page 1 and evidence page E-1, as well as approval document mentioned above.

The submitted documentation was reviewed by **Ishaq I. Chanda, P.E.**



NOA No 09-0604.24
Expiration Date: July 05, 2012
Approval Date: September 02, 2009
Page 1

8/12/09

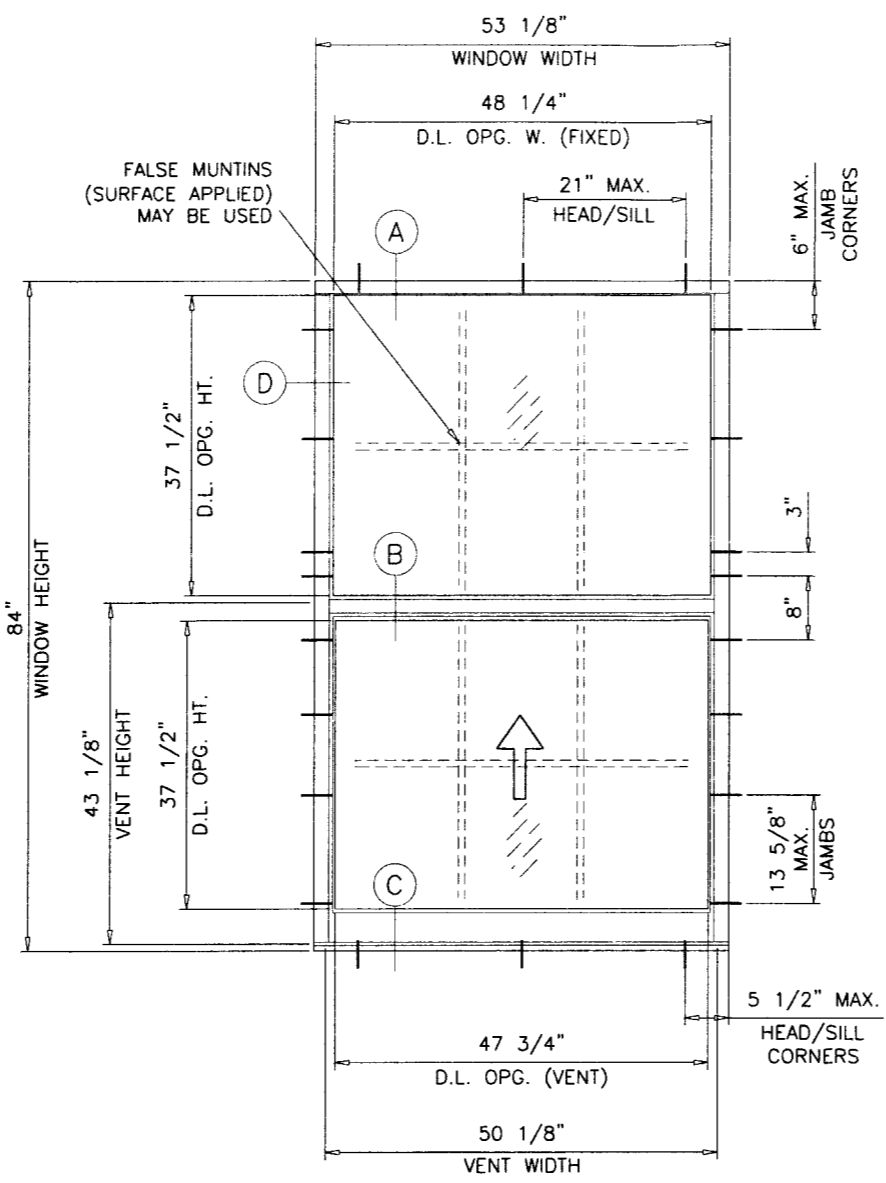
T. M. Window and Door

NOTICE OF ACCEPTANCE: EVIDENCE SUBMITTED

- A. DRAWINGS** (Transferred from file # **07-0404.04**)
1. Manufacturer's die drawings and sections.
 2. Drawing No. **W06-34.**, titled "Series 605 Aluminum Single Hung WDW (LMI)", sheets 1 through 8 of 8, prepared by Al-Farooq Corp., dated 04-24-06 and last revised on Aug. 12, 2009, signed and sealed by Arshad Viqar, P.E.
- B. TESTS**
1. Test report on
 - 1) Air Infiltration Test, per TAS 202-94
 - 2) Uniform Static Air Pressure Test, Loading per TAS 202-94
 - 3) Large Missile Impact Test, TAS 201-94
 - 4) Cyclic Loading Test, per TAS 203-94along with installation diagram of an aluminum Single Hung window, prepared by Fenestration Testing Laboratory Inc., Test Report No. **FTL-5439** dated 12-10-07 and **FTL-5742** dated 01-22-09, both signed and sealed by Michael S. Wenzel, P.E.
 2. Test report on (Transferred from file # **07-0404.04**)
 - 1) Air Infiltration Test, per TAS 202-94
 - 2) Uniform Static Air Pressure Test, Loading per TAS 202-94
 - 3) Water Resistance Test, per TAS 202-94
 - 4) Large Missile Impact Test, TAS 201-94
 - 5) Cyclic Loading Test, per TAS 203-94
 3. along with installation diagram of an alum Single Hung window, prepared by Fenestration Testing Lab Inc., Test Report No. **FTL-3975** dated 10-22-03, **FTL-3755** dated 03-24-03 and **FTL-4514** dated 01-25-05, all signed and sealed by Edmundo Largaespada, P.E.
 4. Additional test report No. **CTLA-416W** dated 04-11-00 issued by Certified Testing lab w/ addendum letter Jan 22, 2002, signed and sealed by Ramesh Patel, P.E.
- C. CALCULATIONS**
1. Anchor Verification Calculations & comparative analysis complying w/ FBC 2007, prepared by AL-Farooq Corp. , dtdd 05-15-09, signed &sealed by Arshad Viqar, P.E
 2. Glazing Complies with ASTM E1300-02 & -04
- D. QUALITY ASSURANCE**
1. Miami Dade Building Code Compliance Office (BCCO).
- E. MATERIAL CERTIFICATIONS**
1. Notice of Acceptance No. **06-0216.06** issued to Solutia for "Saflex IIIG clear & color interlayer", expiring on 05/21/2011.
 2. Notice of Acceptance No. **07-1116.11** issued to SAF-Glass, LLC for "SAF-GLAS polycarbonate laminate", expiring on 12/16/2012.
 3. Notice of Acceptance No. **09-0310.02** (Former NOA# 03-1123.04, Surface Specialties Tech), issued to Cytec Industries Inc. for "Uvekol S ", expiring on 02/08/2010.
- F. STATEMENTS**
1. Statement letters of Compliance and "no financial interest", both dated 05/28/9, signed and sealed by Arshad Viqar, P.E.
 2. Statement of Lab compliance letter, part of test reports.
- G. OTHER**
1. This NOA revises NOA # **07-0404.04 (06-0614.04)**, expired on July 05, 2012.
 2. Test proposal # 07-3765 approved by BCCO dated Feb. 06, 2007. Ishaq I. Chanda

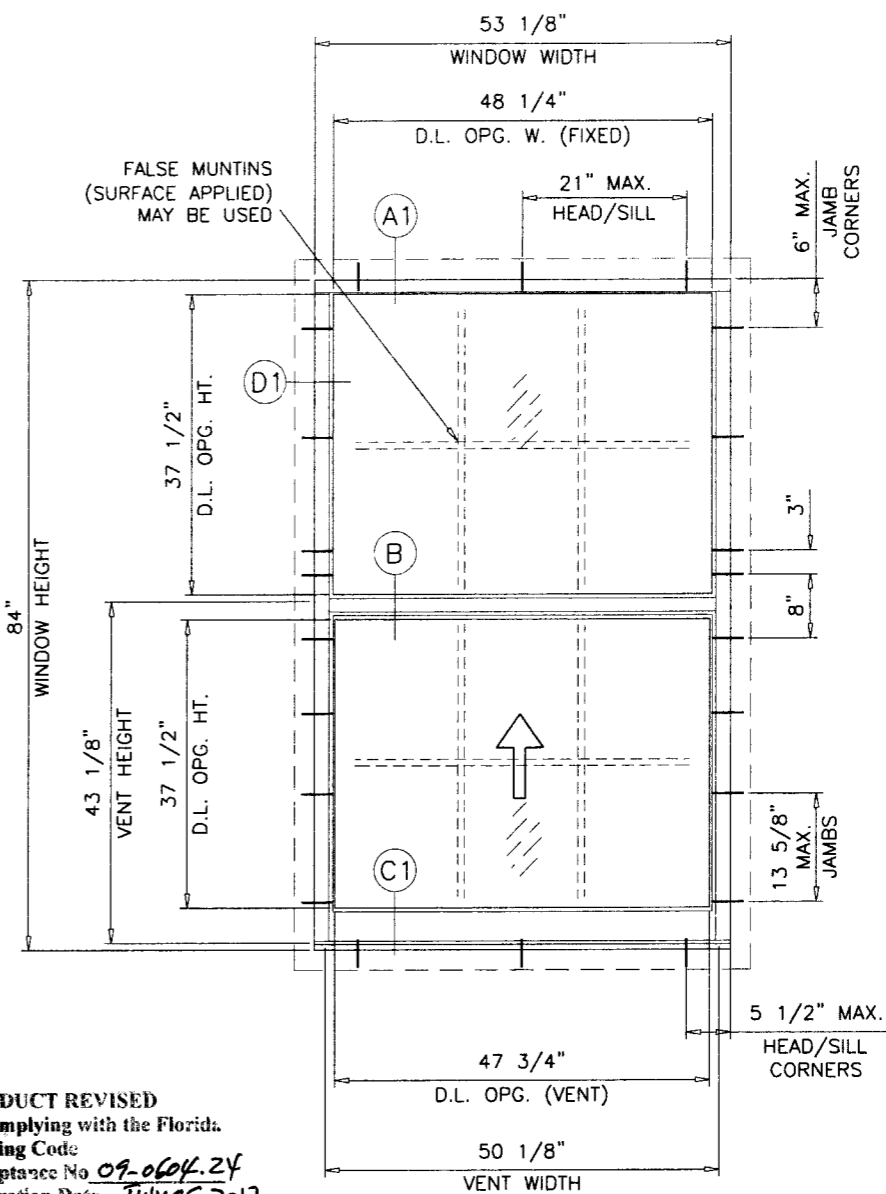
Ishaq I. Chanda, P.E.
Product Control Examiner
NOA No 09-0604.24
Expiration Date: July 05, 2012
Approval Date: September 02, 2009

no	date	description
A	10.17.06	REV. PER BCCO COMMENTS
B	11.06.06	REV. PER BCCO COMMENTS
C	01.10.08	GLASS & REINF. OPTIONS ADD.
D	05.12.09	UPDATED FOR 2007 FBC



**TYPICAL ELEVATION
 EQUAL LITES
 (SEE DESIGN CAPACITY CHART)**

D.L.O. WIDTH (FIXED) = WINDOW WIDTH - 4.875"
 D.L.O. WIDTH (VENT) = WINDOW WIDTH - 5.375"
 D.L.O. HEIGHT = WINDOW HEIGHT/2 - 4.5"



**TYPICAL ELEVATION
 WITH OPTIONAL FIN
 EQUAL LITES
 (LIMIT DESIGN CAPACITY TO ±61.0 PSF MAX.)**

PRODUCT REVISED
 as complying with the Florida
 Building Code
 Acceptance No. 09-0604.24
 Expiration Date July 05, 2012
 By Ismael L. Lugo
 Miami Dade Product Control
 Division

**LAMINATED GLASS
 INSUL. LAM. GLASS
 LARGE MISSILE IMPACT**

Engr: ARSHAD VIQAR
 CIVIL
 FLA. PE # 38863
 C.A.N. 3538

 AUG 12 2009

THESE WINDOWS ARE RATED FOR LARGE & SMALL MISSILE IMPACT.
 SHUTTERS ARE NOT REQUIRED.

SERIES 605 ALUMINUM SINGLE HUNG WINDOW

DESIGN LOAD RATINGS FOR THESE WINDOWS TO BE AS PER
 CHARTS SHOWN ON SHEETS 2 & 3.

APPROVAL APPLIES TO SINGLE UNITS OR SIDE BY SIDE
 COMBINATIONS OF S.H./S.H. OR SINGLE HUNG WITH OTHER
 WINDOW TYPES IN MODULES OF TWO OR MORE WINDOWS USING
 MIAMI-DADE COUNTY APPROVED MULLIONS IN BETWEEN.
 LOWER DESIGN PRESSURE FROM WINDOWS OR MULLION APPROVAL
 WILL APPLY TO ENTIRE SYSTEM.

THIS PRODUCT HAS BEEN DESIGNED AND TESTED TO COMPLY WITH THE
 REQUIREMENTS OF THE FLORIDA BUILDING CODE 2004/2007 EDITION INCLUDING
 HIGH VELOCITY HURRICANE ZONE (HVHZ).

1BY OR 2BY WOOD BUCKS BY OTHERS, MUST BE ANCHORED PROPERLY TO
 TRANSFER LOADS TO THE STRUCTURE.

ANCHORS SHALL BE AS LISTED, SPACED AS SHOWN ON DETAILS, ANCHORS
 EMBEDMENT TO BASE MATERIAL SHALL BE BEYOND WALL DRESSING OR STUCCO.

ANCHORING OR LOADING CONDITIONS NOT SHOWN IN THESE DETAILS
 ARE NOT PART OF THIS APPROVAL.

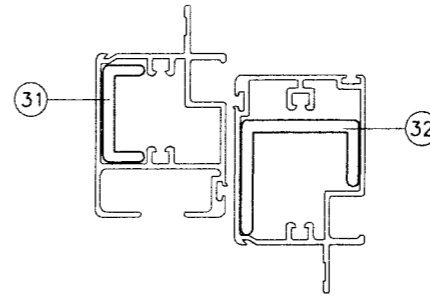
A LOAD DURATION INCREASE IS USED IN DESIGN OF ANCHORS INTO WOOD ONLY.

MATERIALS INCLUDING BUT NOT LIMITED TO STEEL/METAL SCREWS, THAT COME INTO
 CONTACT WITH OTHER DISSIMILAR MATERIALS SHALL MEET THE REQUIREMENTS
 OF 2004/2007 FLORIDA BLDG. CODE SECTION 2003.8.4.

DESIGN LOAD CAPACITY - PSF
(WITH ALUMINUM REINFORCING)

WINDOW DIMS.		GLASS TYPE 'B'		GLASS TYPE 'C'		GLASS TYPES 'D' & 'E'		GLASS TYPE 'F'		GLASS TYPE 'G'		GLASS TYPE 'H'		GLASS TYPE 'I'		GLASS TYPE 'J'		
WIDTH	HEIGHT	EXT.(+)	INT.(-)	EXT.(+)	INT.(-)	EXT.(+)	INT.(-)	EXT.(+)	INT.(-)	EXT.(+)	INT.(-)	EXT.(+)	INT.(-)	EXT.(+)	INT.(-)	EXT.(+)	INT.(-)	
19-1/8"	26" (4)	80.0	80.0	70.0	70.0	61.0	61.0	80.0	80.0	80.0	80.0	80.0	80.0	80.0	80.0	80.0	80.0	
26-1/2"		80.0	80.0	70.0	70.0	61.0	61.0	80.0	80.0	80.0	80.0	80.0	80.0	80.0	80.0	80.0	80.0	
37"		80.0	80.0	70.0	70.0	61.0	61.0	80.0	80.0	80.0	80.0	80.0	80.0	80.0	80.0	80.0	80.0	
53-1/8"		80.0	80.0	70.0	70.0	61.0	61.0	80.0	80.0	80.0	80.0	80.0	80.0	80.0	80.0	80.0	80.0	
19-1/8"	38-3/8" (4)	80.0	80.0	70.0	70.0	61.0	61.0	80.0	80.0	80.0	80.0	80.0	80.0	80.0	80.0	80.0	80.0	
26-1/2"		80.0	80.0	70.0	70.0	61.0	61.0	80.0	80.0	80.0	80.0	80.0	80.0	80.0	80.0	80.0	80.0	
37"		80.0	80.0	70.0	70.0	61.0	61.0	80.0	80.0	80.0	80.0	80.0	80.0	80.0	80.0	80.0	80.0	
53-1/8"		80.0	80.0	70.0	70.0	61.0	61.0	80.0	80.0	80.0	80.0	80.0	80.0	80.0	80.0	80.0	80.0	
19-1/8"	50-5/8" (5)	80.0	80.0	70.0	70.0	61.0	61.0	80.0	80.0	80.0	80.0	80.0	80.0	80.0	80.0	80.0	80.0	
26-1/2"		80.0	80.0	70.0	70.0	61.0	61.0	80.0	80.0	80.0	80.0	80.0	80.0	80.0	80.0	80.0	80.0	
37"		80.0	80.0	70.0	70.0	61.0	61.0	80.0	80.0	80.0	80.0	80.0	80.0	80.0	80.0	80.0	80.0	
53-1/8"		80.0	80.0	70.0	70.0	61.0	61.0	80.0	80.0	80.0	80.0	80.0	80.0	80.0	80.0	80.0	80.0	
19-1/8"	56-5/8" (6)	80.0	80.0	70.0	70.0	61.0	61.0	80.0	80.0	80.0	80.0	80.0	80.0	80.0	80.0	80.0	80.0	
26-1/2"		80.0	80.0	70.0	70.0	61.0	61.0	80.0	80.0	80.0	80.0	80.0	80.0	80.0	80.0	80.0	80.0	
37"		80.0	80.0	70.0	70.0	61.0	61.0	80.0	80.0	80.0	80.0	80.0	80.0	80.0	80.0	80.0	80.0	
53-1/8"		-	-	70.0	70.0	61.0	61.0	80.0	80.0	80.0	80.0	80.0	80.0	80.0	80.0	80.0	80.0	
19-1/8"	63" (6)	80.0	80.0	70.0	70.0	61.0	61.0	80.0	80.0	80.0	80.0	80.0	80.0	80.0	80.0	80.0	80.0	
26-1/2"		80.0	80.0	70.0	70.0	61.0	61.0	80.0	80.0	80.0	80.0	80.0	80.0	80.0	80.0	80.0	80.0	
37"		80.0	80.0	70.0	70.0	61.0	61.0	80.0	80.0	80.0	80.0	80.0	80.0	80.0	80.0	80.0	80.0	
53-1/8"		-	-	70.0	70.0	61.0	61.0	80.0	80.0	80.0	80.0	80.0	80.0	80.0	80.0	80.0	80.0	
19-1/8"	72" (7)	80.0	80.0	70.0	70.0	61.0	61.0	80.0	80.0	80.0	80.0	80.0	80.0	80.0	80.0	80.0	80.0	
26-1/2"		80.0	80.0	70.0	70.0	61.0	61.0	80.0	80.0	80.0	80.0	80.0	80.0	80.0	80.0	80.0	80.0	
37"		80.0	80.0	70.0	70.0	61.0	61.0	80.0	80.0	80.0	80.0	80.0	80.0	80.0	80.0	80.0	80.0	
53-1/8"		-	-	-	-	61.0	61.0	-	-	80.0	80.0	80.0	80.0	80.0	78.2	78.2	80.0	80.0
19-1/8"	76-3/4" (7)	80.0	80.0	70.0	70.0	61.0	61.0	80.0	80.0	80.0	80.0	80.0	80.0	80.0	80.0	80.0	80.0	
26-1/2"		80.0	80.0	70.0	70.0	61.0	61.0	80.0	80.0	80.0	80.0	80.0	80.0	80.0	80.0	80.0	80.0	
37"		80.0	80.0	70.0	70.0	61.0	61.0	80.0	80.0	80.0	80.0	80.0	80.0	80.0	80.0	80.0	80.0	
53-1/8"		-	-	-	-	61.0	61.0	-	-	77.6	77.6	80.0	80.0	74.5	74.5	80.0	80.0	
24"	48" (5)	80.0	80.0	70.0	70.0	61.0	61.0	80.0	80.0	80.0	80.0	80.0	80.0	80.0	80.0	80.0	80.0	
30"		80.0	80.0	70.0	70.0	61.0	61.0	80.0	80.0	80.0	80.0	80.0	80.0	80.0	80.0	80.0	80.0	
36"		80.0	80.0	70.0	70.0	61.0	61.0	80.0	80.0	80.0	80.0	80.0	80.0	80.0	80.0	80.0	80.0	
42"		80.0	80.0	70.0	70.0	61.0	61.0	80.0	80.0	80.0	80.0	80.0	80.0	80.0	80.0	80.0	80.0	
48"		80.0	80.0	70.0	70.0	61.0	61.0	80.0	80.0	80.0	80.0	80.0	80.0	80.0	80.0	80.0	80.0	
54"	80.0	80.0	70.0	70.0	61.0	61.0	80.0	80.0	80.0	80.0	80.0	80.0	80.0	80.0	80.0	80.0		
24"	60" (6)	80.0	80.0	70.0	70.0	61.0	61.0	80.0	80.0	80.0	80.0	80.0	80.0	80.0	80.0	80.0	80.0	
30"		80.0	80.0	70.0	70.0	61.0	61.0	80.0	80.0	80.0	80.0	80.0	80.0	80.0	80.0	80.0	80.0	
36"		80.0	80.0	70.0	70.0	61.0	61.0	80.0	80.0	80.0	80.0	80.0	80.0	80.0	80.0	80.0	80.0	
42"		80.0	80.0	70.0	70.0	61.0	61.0	80.0	80.0	80.0	80.0	80.0	80.0	80.0	80.0	80.0	80.0	
48"		80.0	80.0	70.0	70.0	61.0	61.0	80.0	80.0	80.0	80.0	80.0	80.0	80.0	80.0	80.0	80.0	
54"		-	-	70.0	70.0	61.0	61.0	80.0	80.0	80.0	80.0	80.0	80.0	80.0	80.0	80.0	80.0	
24"	72" (7)	80.0	80.0	70.0	70.0	61.0	61.0	80.0	80.0	80.0	80.0	80.0	80.0	80.0	80.0	80.0	80.0	
30"		80.0	80.0	70.0	70.0	61.0	61.0	80.0	80.0	80.0	80.0	80.0	80.0	80.0	80.0	80.0	80.0	
36"		80.0	80.0	70.0	70.0	61.0	61.0	80.0	80.0	80.0	80.0	80.0	80.0	80.0	80.0	80.0	80.0	
42"		-	-	70.0	70.0	61.0	61.0	80.0	80.0	80.0	80.0	80.0	80.0	80.0	80.0	80.0	80.0	
48"		-	-	-	-	61.0	61.0	-	-	80.0	80.0	80.0	80.0	80.0	80.0	80.0	80.0	80.0
54"		-	-	-	-	61.0	61.0	-	-	79.1	79.1	79.1	79.1	76.8	76.8	78.4	78.4	80.0
24"	84" (8)	80.0	80.0	70.0	70.0	61.0	61.0	80.0	80.0	80.0	80.0	80.0	80.0	80.0	80.0	80.0	80.0	
30"		80.0	80.0	70.0	70.0	61.0	61.0	80.0	80.0	80.0	80.0	80.0	80.0	80.0	80.0	80.0	80.0	
36"		-	-	-	-	61.0	61.0	-	-	80.0	80.0	80.0	80.0	80.0	80.0	80.0	80.0	
42"		-	-	-	-	61.0	61.0	-	-	80.0	80.0	80.0	80.0	80.0	80.0	80.0	80.0	
48"		-	-	-	-	61.0	61.0	-	-	80.0	80.0	80.0	80.0	77.5	77.5	80.0	80.0	

() NO. IN PARENTHESIS INDICATE NO. OF ANCHORS PER JAMB



PRODUCT REVISED
as complying with the
Building Code
Acceptance No. 09-0604.24
Expiration Date July 25, 2012
By Ismael L. Chanda
Miami Dade Product Control
Division

NOTE:
GLASS CAPACITIES ON THIS SHEET ARE
BASED ON ASTM E1300-02/04 (3 SEC. GUSTS)
AND FLORIDA BUILDING COMMISSION
DECLARATORY STATEMENT DCA05-DEC-219

Engr: ARSHAD VIQAR
CIVIL
FLA. PE # 38863
C.A.N. 3538

AUG 12 2009

afC
AL-FAROOQ CORPORATION
ENGINEERS & PRODUCT DEVELOPMENT
1235 S.W. 87 AVE
MIAMI, FLORIDA 33174
TEL. (305) 264-8100 FAX. (305) 262-6978
COMP - ANL \ W06 - 34TAW

SERIES 605 ALUMINUM SINGLE HUNG WDW. (L.M.I.)
TM WINDOW AND DOOR
601 N.W. 12TH AVE.
POMPANO BEACH, FL. 33069
TEL. (954) 781-4430 FAX. (954) 781-5078

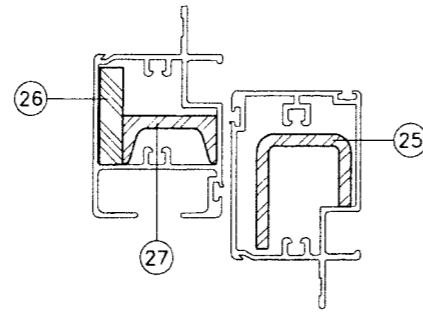
no	date	description
A	10.17.06	REV. PER BCCO COMMENTS
B	11.06.06	NO CHANGE THIS SHEET
C	01.10.06	GLASS & REINF. OPTIONS ADD.
D	05.12.09	UPDATED FOR 2007 FBC

date: 04-24-06
scale: 1/2" = 1"
dr. by: HAMID
chk. by:

drawing no.
W06-34
sheet 2 of 8

DESIGN LOAD CAPACITY - PSF
(WITH STEEL REINFORCING)

WINDOW DIMS.		GLASS TYPE 'B'		GLASS TYPE 'F'	
WIDTH	HEIGHT	EXT.(+)	INT.(-)	EXT.(+)	INT.(-)
19-1/8"	26" (4)	80.0	99.3	80.0	115.0
26-1/2"		80.0	99.3	80.0	115.0
37"		80.0	99.3	80.0	115.0
53-1/8"		80.0	99.3	80.0	115.0
19-1/8"	38-3/8" (4)	80.0	99.3	80.0	115.0
26-1/2"		80.0	99.3	80.0	115.0
37"		80.0	99.3	80.0	115.0
53-1/8"		80.0	99.3	80.0	115.0
19-1/8"	50-5/8" (5)	80.0	99.3	80.0	115.0
26-1/2"		80.0	99.3	80.0	115.0
37"		80.0	99.3	80.0	115.0
53-1/8"		80.0	99.3	80.0	115.0
19-1/8"	56-5/8" (6)	80.0	99.3	80.0	115.0
26-1/2"		80.0	99.3	80.0	115.0
37"		80.0	99.3	80.0	115.0
53-1/8"		-	-	80.0	115.0
19-1/8"	63" (6)	80.0	99.3	80.0	115.0
26-1/2"		80.0	99.3	80.0	115.0
37"		80.0	99.3	80.0	115.0
53-1/8"		-	-	80.0	115.0
19-1/8"	72" (7)	80.0	99.3	80.0	115.0
26-1/2"		80.0	99.3	80.0	115.0
37"		80.0	99.3	80.0	115.0
53-1/8"		-	-	80.0	115.0
19-1/8"	76-3/4" (7)	80.0	99.3	80.0	115.0
26-1/2"		80.0	99.3	80.0	115.0
37"		80.0	99.3	80.0	115.0
53-1/8"		-	-	80.0	115.0
24"	48" (5)	80.0	99.3	80.0	115.0
30"		80.0	99.3	80.0	115.0
36"		80.0	99.3	80.0	115.0
42"		80.0	99.3	80.0	115.0
48"		80.0	99.3	80.0	115.0
54"	80.0	99.3	80.0	115.0	
24"	60" (6)	80.0	99.3	80.0	115.0
30"		80.0	99.3	80.0	115.0
36"		80.0	99.3	80.0	115.0
42"		80.0	99.3	80.0	115.0
48"		80.0	99.3	80.0	115.0
54"	-	-	80.0	115.0	
24"	72" (7)	80.0	99.3	80.0	115.0
30"		80.0	99.3	80.0	115.0
36"		80.0	99.3	80.0	115.0
42"		-	-	80.0	115.0
24"	84" (8)	80.0	99.3	80.0	115.0
30"		80.0	99.3	80.0	115.0



() NO. IN PARENTHESIS INDICATE NO. OF ANCHORS PER JAMB

PRODUCT REVISED
as complying with the Florida
Building Code
Acceptance No. 09-0604.24
Expiration Date July 05, 2012
By Shag J. Chavala
Miami Dade Product Control
Division

NOTE:
GLASS CAPACITIES ON THIS SHEET ARE
BASED ON ASTM E1300-02/04 (3 SEC. GUSTS)
AND FLORIDA BUILDING COMMISSION
DECLARATORY STATEMENT DCA05-DEC-219

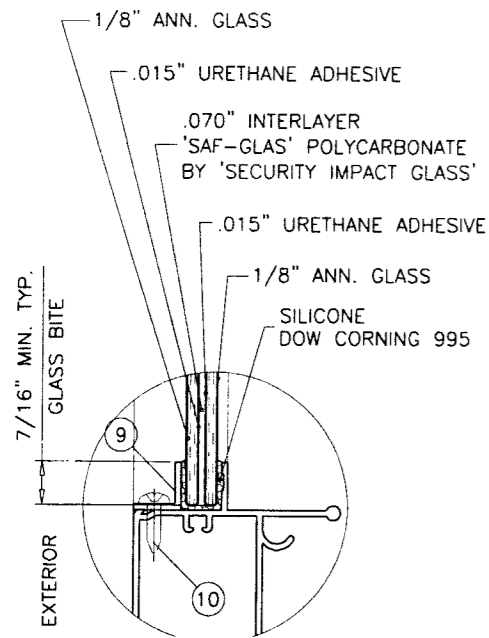
Engr. ARSHAD VIQAR
CIVIL
F.L.A. PE # 38863
C.A.N. 3538
Ar
AUG 12 2009

afC
AL-FAROOQ CORPORATION
ENGINEERS & PRODUCT DEVELOPMENT
1235 S.W. 87 AVE
MIAMI, FLORIDA 33174
TEL. (305) 264-8100 FAX. (305) 262-6978
COMP - ANL \ W06 - 34TMM

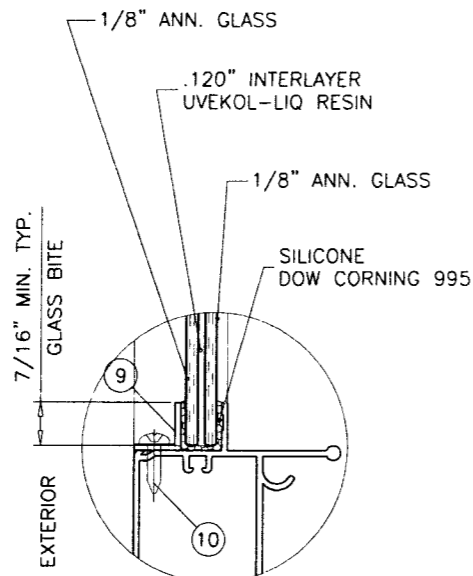
SERIES 605 ALUMINUM SINGLE HUNG WDW. (L.M.I.)
TM WINDOW AND DOOR
601 N.W. 12TH AVE.
POMPANO BEACH, FL. 33069
TEL. (954) 781-4430 FAX. (954) 781-5078

no	date	by	description
A	10.17.06		REV. PER BCCO COMMENTS
B	11.06.06		NO CHANGE THIS SHEET
C	01.10.08		GLASS & REINF. OPTIONS ADD.
D	05.12.09		UPDATED FOR 2007 FBC

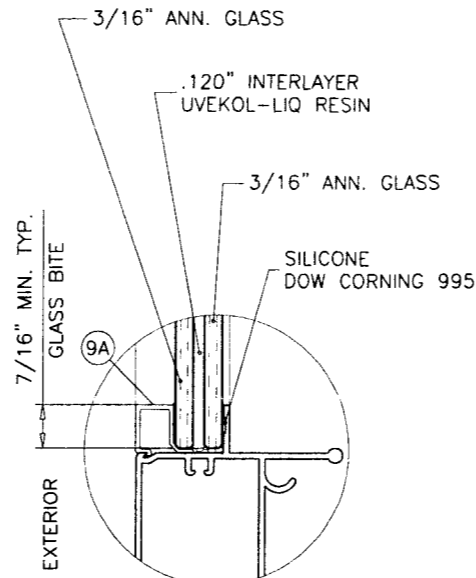
date: 04-24-06
scale: 1/2" = 1"
dr. by: HAMID
chk. by:
drawing no.
W06-34
sheet 3 of 8



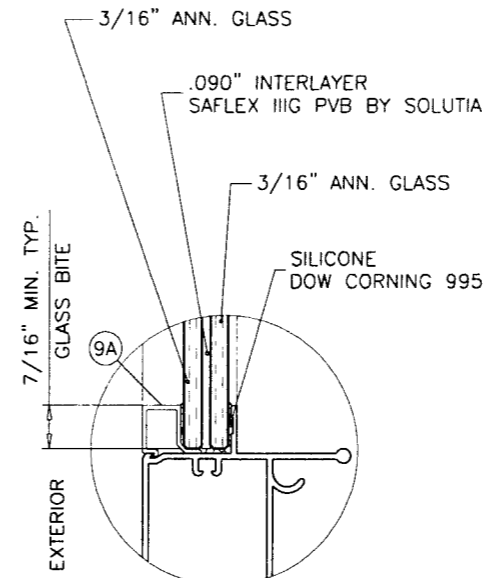
GLASS TYPE 'B'



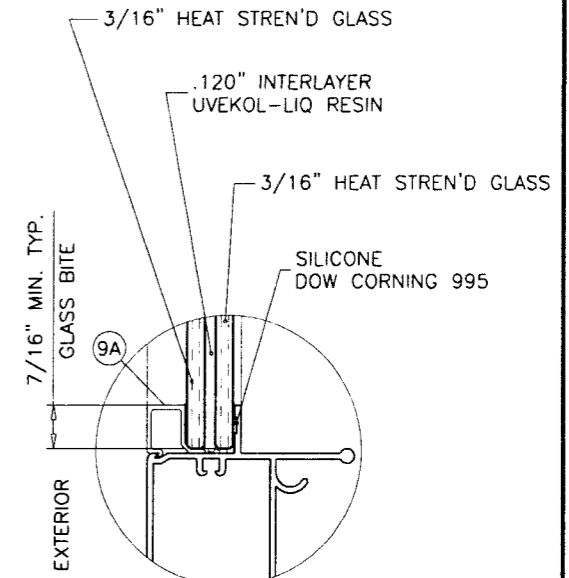
GLASS TYPE 'C'



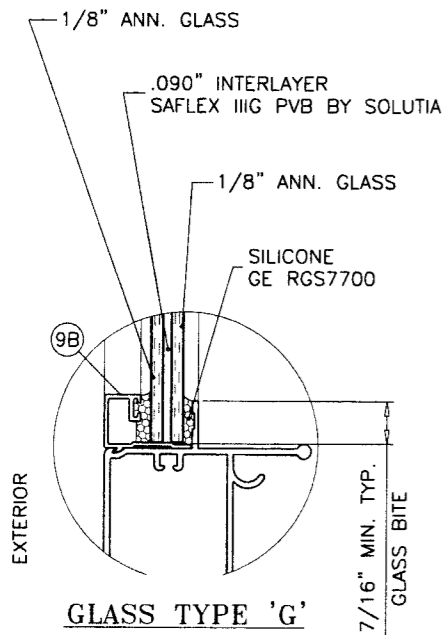
GLASS TYPE 'D'



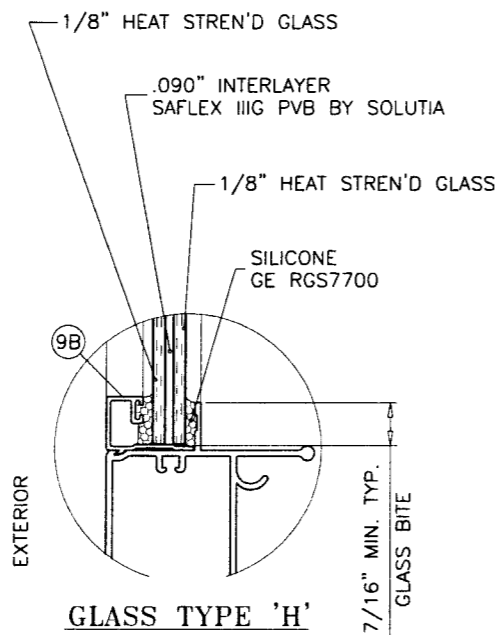
GLASS TYPE 'E'



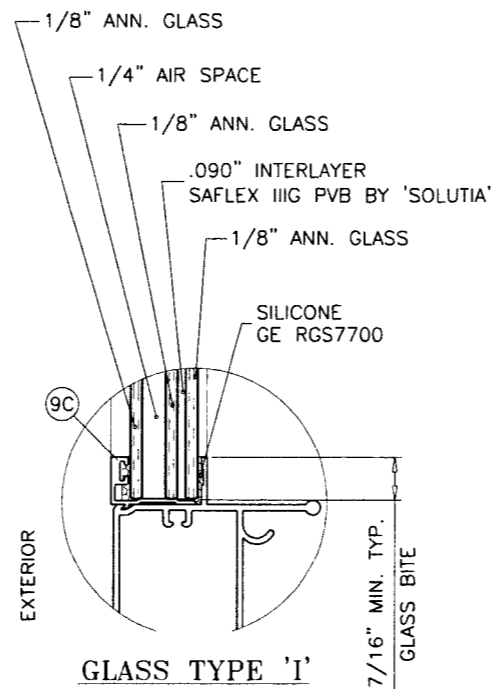
GLASS TYPE 'F'



GLASS TYPE 'G'

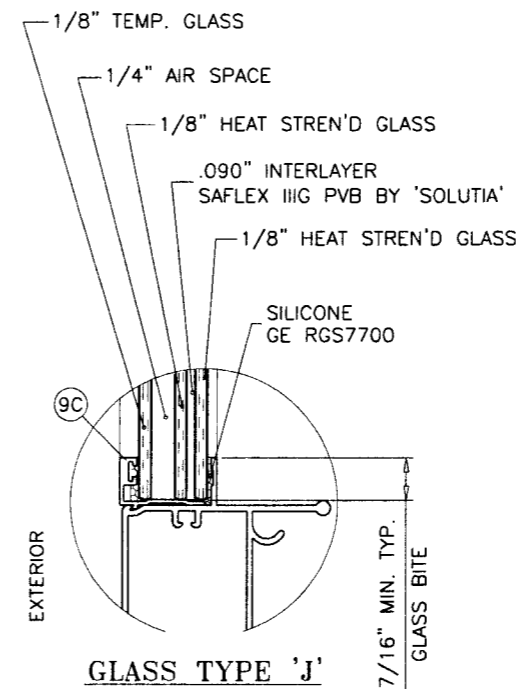


GLASS TYPE 'H'



GLASS TYPE 'I'

THIS GLASS TYPE ONLY FOR
LARGE MISSILE IMPACT USE.
NOT QUALIFIED FOR SMALL
MISSILE IMPACT AREAS.



GLASS TYPE 'J'

GLAZING OPTIONS

PRODUCT REVISED
as complying with the Florida
Building Code
Acceptance No. 09-0604-24
Expiration Date July 05, 2012
By Ishag I. Chaudhry
Miami Dade Product Control
Division

Engr: ARSHAD VIQAR
CIVIL
FLA. PE # 38863
C.A.N. 3538
Ar
AUG 12 2009

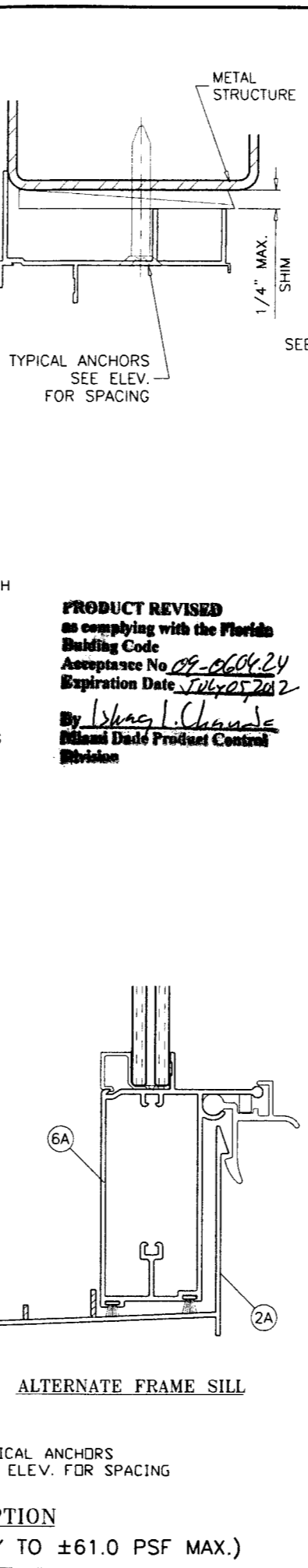
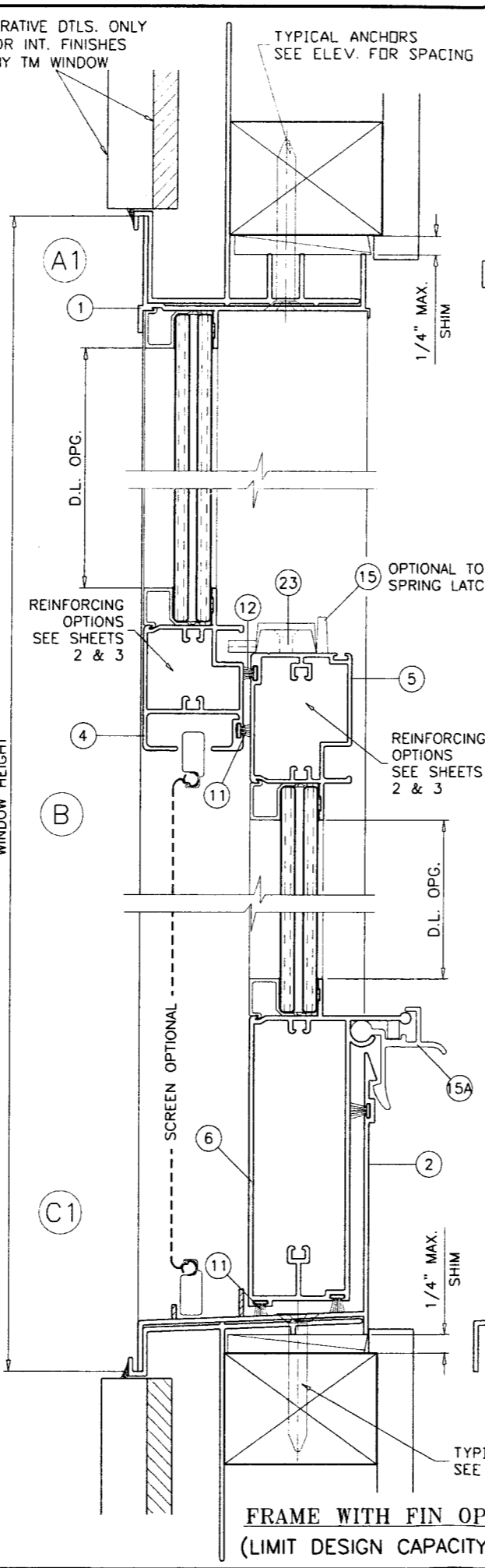
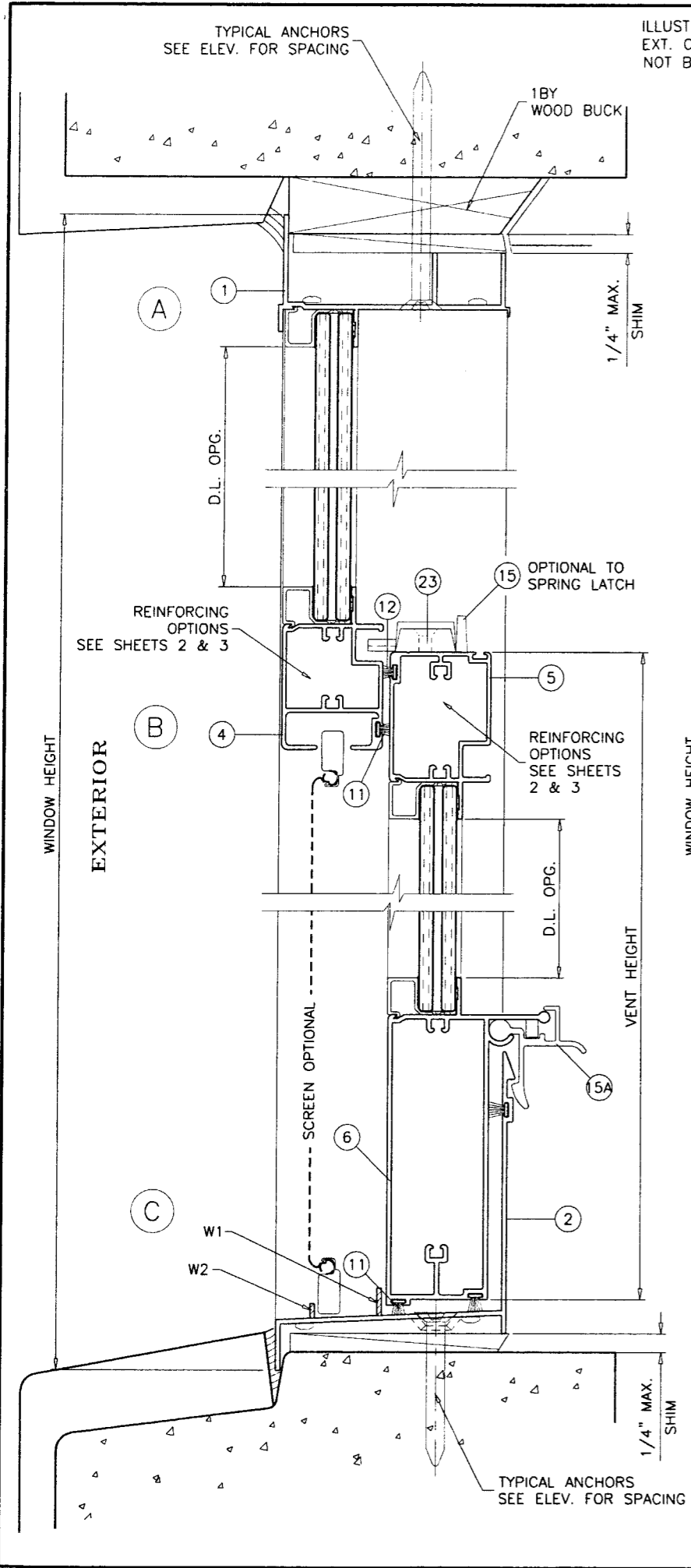
af c
AL-FAROOQ CORPORATION
ENGINEERS & PRODUCT DEVELOPMENT
1235 S.W. 87 AVE
MIAMI, FLORIDA 33174
TEL. (305) 264-8100 FAX. (305) 262-6978
COMP - ANL \ W06 - 34TMM

SERIES 605 ALUMINUM SINGLE HUNG WDW. (L.M.I.)
TM WINDOW AND DOOR
601 N.W. 12TH AVE.
POMPANO BEACH, FL. 33069
TEL. (954) 781-4430 FAX. (954) 781-5078

no.	date	by	description
A	10.17.06		REV. PER BCCO COMMENTS
B	11.06.06		NO CHANGE THIS SHEET
C	01.10.08		GLASS & REINF. OPTIONS ADD.
D	05.12.09		UPDATED FOR 2007 FBC

date: 04-24-06
scale: 1/2" = 1"
dr. by: HAMID
chk. by:

drawing no.
W06-34
sheet 4 of 8



MIAMI-DADE COUNTY APPROVED MULLION & MULLION ANCHORS SEE SEPARATE NOA

WOOD BUCKS AND METAL STRUCTURE NOT BY TM WINDOWS MUST SUSTAIN LOADS IMPOSED BY GLAZING SYSTEM AND TRANSFER THEM TO THE BUILDING STRUCTURE.

TYPICAL ANCHORS: SEE ELEV. FOR SPACING
1/4" TAPCONS BY 'ELCO' (Fu=120 KSI, Fy=92 KSI)
 INTO 2BY WOOD BUCKS OR WOOD STRUCTURES
 1-3/8" MIN. PENETRATION INTO WOOD
 THRU 1BY BUCKS INTO CONC. OR MASONRY
 1-1/4" MIN. EMBED INTO CONC. OR MASONRY
 DIRECTLY INTO CONC. OR MASONRY
 1-1/4" MIN. EMBED INTO CONC. OR MASONRY

#14 SMS OR SELF DRILLING SCREWS (GRADE 2 CRS)
 INTO METAL STRUCTURES
 STEEL : 12 GA. MIN. (Fy = 36 KSI MIN.)
 ALUMINUM : 1/8" THK. MIN. (6063-T5 MIN.)
 (STEEL IN CONTACT WITH ALUM TO BE PLATED OR PAINTED)

#12 SMS OR SELF DRILLING SCREWS (GRADE 2 CRS)
 INTO MIAMI-DADE COUNTY APPROVED MULLIONS (1/8" THK. MIN.)
 (NO SHIM SPACE)

TYPICAL EDGE DISTANCE
 INTO CONCRETE AND MASONRY = 2" MIN.
 INTO WOOD STRUCTURE = 1" MIN.
 INTO METAL STRUCTURE = 1/2" MIN.

CONCRETE f'c = 3000 PSI MIN.
 C-90 HOLLOW/FILLED BLOCK f'm = 2000 PSI MIN.

SEALANTS:
 ALL JOINTS AND FRAME CONNECTIONS SEALED WITH SILICONE OR ACRYLIC SEALANT.

WEEPHOLES:
 W1 = 1/2" LONG NOTCH AT EACH END OF INTERIOR LEG
 W2 = 7/8" LONG NOTCH AT EACH END OF EXTERIOR LEG

PRODUCT REVISED
 as complying with the Florida Building Code
 Acceptance No. 09-0604.24
 Expiration Date July 05, 2012
 By *Shang L. Chandra*
 Miami Dade Product Control Division

FRAME WITH FIN OPTION
 (LIMIT DESIGN CAPACITY TO ±61.0 PSF MAX.)

Engr: ARSHAD VIQAR
 CIVIL
 FLA. PE # 38863
 C.A.N. 3538

Ar

AUG 12 2009

af c

AL-FAROOQ CORPORATION
 ENGINEERS & PRODUCT DEVELOPMENT
 1235 S.W. 87 AVE
 MIAMI, FLORIDA 33174
 TEL. (305) 264-8100 FAX. (305) 262-6978
 COMP-ANL\W06-34TMW

SERIES 605 ALUMINUM SINGLE HUNG WDW. (L.M.I.)

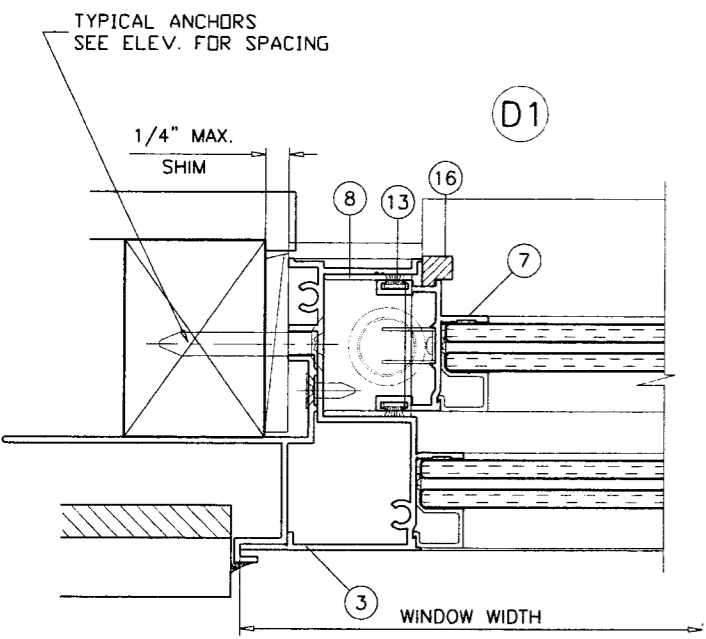
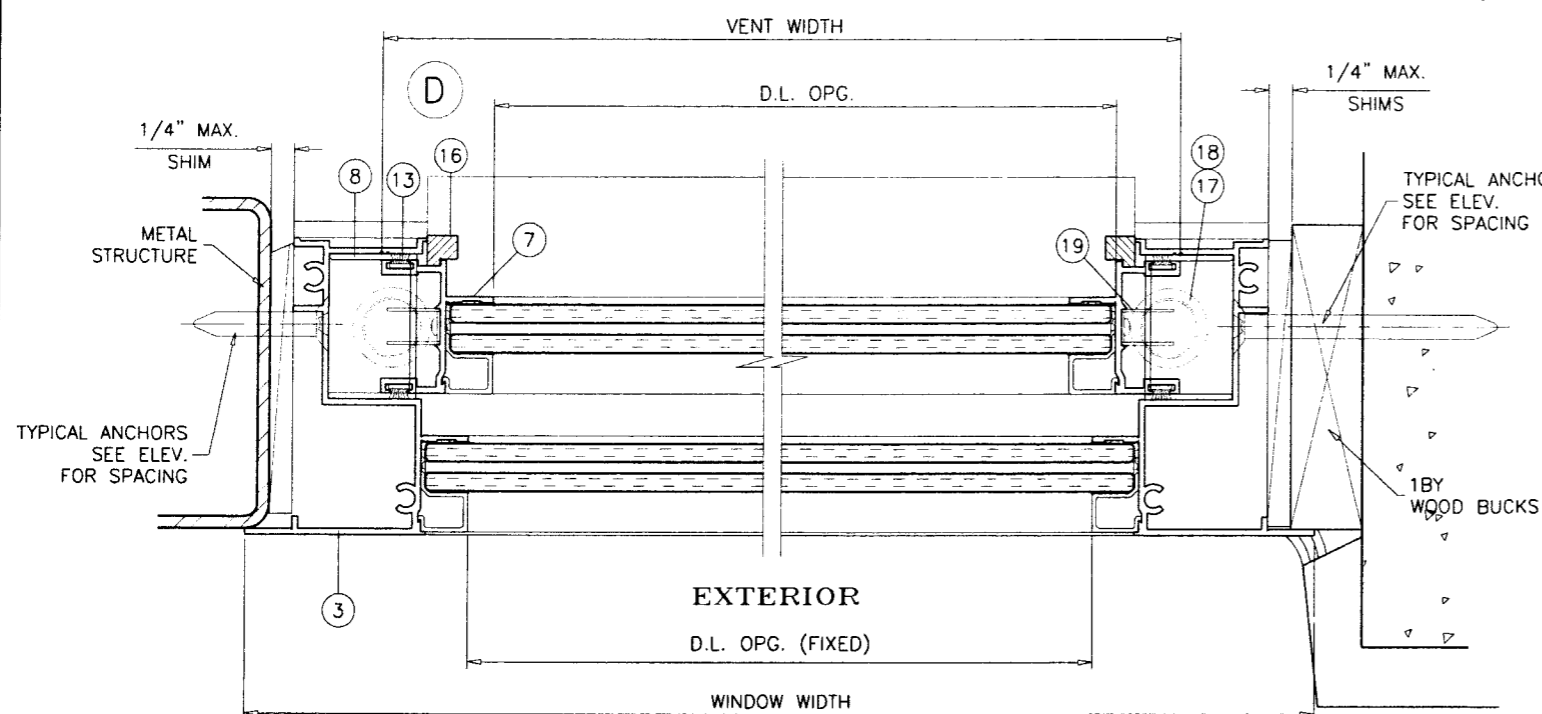
TM WINDOW AND DOOR
 601 N.W. 12TH AVE.
 POMPANO BEACH, FL. 33069
 TEL. (954) 781-4430 FAX. (954) 781-5078

no	date	by	description
A	10.17.06		NO CHANGE THIS SHEET
B	11.06.06		REV. PER BCCO COMMENTS
C	01.10.08		GLASS & REINF. OPTIONS ADD.
D	05.12.09		UPDATED FOR 2007 FBC

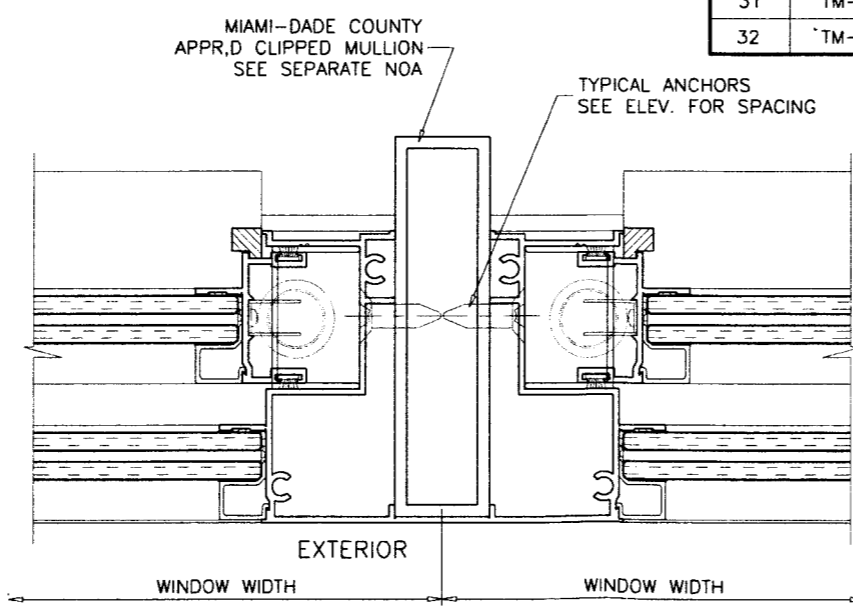
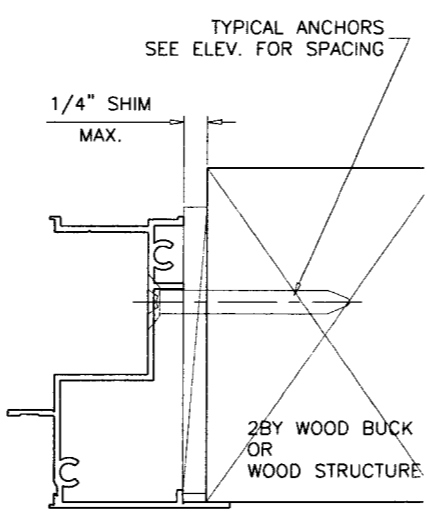
date: 04-24-06
 scale: 1/2" = 1"
 dr. by: HAMID
 chk. by:

drawing no.
W06-34

sheet 5 of 8



FRAME WITH FIN OPTION



ITEM	PART #	QTY.	DESCRIPTION	MATERIAL	MANF./SUPPLIER/REMARKS
1	GW-36763	1	FRAME HEAD	6063-T6	-
2	GW-37731	1	FRAME SILL (4" HIGH)	6063-T6	-
2A	BA-3608	1	FRAME SILL (3" HIGH)	6063-T6	-
3	GW-31445	2	FRAME JAMB	6063-T6	-
4	GW-36706	1	MEETING RAIL	6063-T6	-
5	GW-36685	1	VENT TOP RAIL	6063-T6	-
6	GW-37730	1	VENT BOTTOM RAIL (4" SILL)	6063-T6	-
6A	GW-37559	1	VENT BOTTOM RAIL (3" SILL)	6063-T6	-
7	GW-31134	2	VENT JAMB STILE	6063-T6	-
8	GW-31470	2	VENT STOP	6063-T5	-
9	19-56	4/VENT	GLAZING BEAD ANGLE	6063-T5	-
9A	TM-123	4/VENT	GLAZING BEAD	6063-T5	-
9B	TM-170	4/VENT	GLAZING BEAD	6063-T6	-
9C	TM-181	4/VENT	GLAZING BEAD (INSUL. LAM. GLASS)	6063-T6	-
10	#8 X 1/2"	12/VENT	GLAZING ANGLE SCREWS	STEEL	PH SMS
11	4037	(1) STRIP	FIN SEAL WEATHERSTRIP	-	MTG.RAIL/FRAME SILL
12	2240	(1) STRIP	FIN SEAL WEATHERSTRIP	-	VENT TOP
13	3722	(2) STRIP	FIN SEAL WEATHERSTRIP	-	VENT JAMB STILES
14	-	2	1 1/2"x7/8"x3/4" FINSEAL PAD	-	FRAME SILL CORNERS
15	-	2/VENT	LATCH LOCK AT 5" FROM ENDS	CAST	VENT TOP
15A	TM-118A	2/VENT	SPRING LOADED EGRESS LOCK	6063-T6	VENT BOTTOM RAIL
16	-	4/VENT	VENT GUIDE	NYLON	VENT INT. CORNERS
17	-	2/VENT	CALDWELL SPIRAL BALANCES	-	AT FRAME JAMBS
18	WVR-9302	2/VENT	BALANCE COVER	VINYL	FRAME HEAD/JAMBS
19	N69	2/VENT	CALDWELL BALANCE CLIP	-	VENT BOTT. CORNERS
20	-	2	#12 x 3/4" P.H. SMS	STEEL	(1) AT EACH BALANCE
21	-	8	#12 x 1" P.H. SMS	STEEL	FRAME CORNERS
22	-	8	#10 x 1" P.H. SMS	STEEL	VENT CORNERS
23	-	4	#8 x 3/4" F.H. SMS.	STEEL	(2) AT EACH LATCH
24	-	4	#6 x 3/8" F.H. SMS.	STEEL	AT EA. PLASTIC GUIDE
25	-	1	1x1 3/16x3/4x1/8" CHANNEL	STEEL	AT VENT TOP
26	-	2	1x1/4 THK.x4" LONG BAR	ALUM.	(1)AT EA. MTG. RAIL END
27	-	1	1/2x1x1/2x1/8" CHANNEL	STEEL	AT MEETING RAIL
28	TM-161	2	FIN TRIM FOR JAMBS	6063-T6	-
29	TM-163	1	FIN TRIM FOR HEAD	6063-T6	-
30	TM-164	1	FIN TRIM FOR SILL	6063-T6	-
31	TM-179	1	MTG. RAIL REINFORCING CHANNEL	6063-T5	AT MEETING RAIL
32	TM-178	1	TOP RAIL REINFORCING CHANNEL	6063-T5	AT VENT TOP

PRODUCT REVISED
 as complying with the Florida
 Building Code
 Acceptance No. 09-0604.24
 Expiration Date July 05, 2012
 By Ishtag J. Chaudhry
 Miami Dade Product Control
 Division

Engr: ARSHAD VIQAR
 CIVIL
 FLA. PE # 38863
 C.A.N. 3538

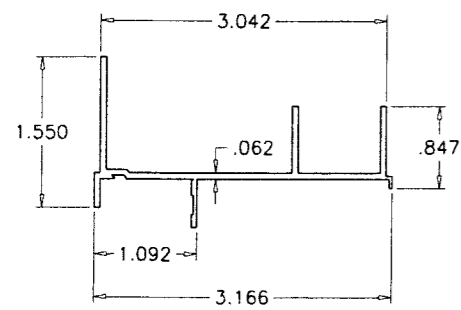
 AUG 12 2009

af c
AL-FAROOQ CORPORATION
 ENGINEERS & PRODUCT DEVELOPMENT
 1235 S.W. 87 AVE
 MIAMI, FLORIDA 33174
 TEL. (305) 264-8100 FAX. (305) 262-6978
 COMP - ANL\W06 - 34TMW

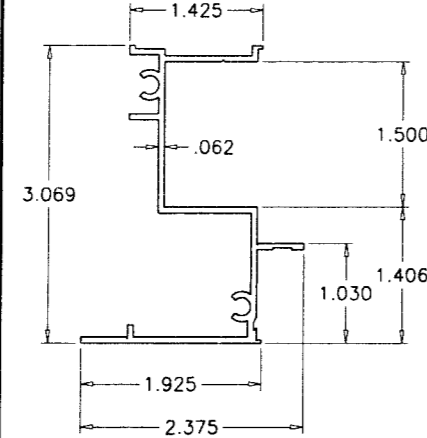
SERIES 605 ALUMINUM SINGLE HUNG WDW. (L.M.I.)
TM WINDOW AND DOOR
 601 N.W. 12TH AVE.
 POMPANO BEACH, FL. 33069
 TEL. (954) 781-4430 FAX. (954) 781-5078

NO	DATE	DESCRIPTION	BY
A	10.17.06	NO CHANGE THIS SHEET	
B	11.06.06	REV. PER BCCO COMMENTS	
C	01.10.08	GLASS & REINF. OPTIONS ADD.	
D	05.12.09	UPDATED FOR 2007 FBC	

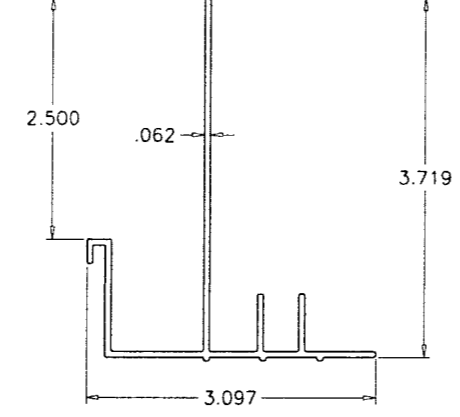
date: 04-24-06
 scale: 1/2" = 1"
 dr. by: HAMID
 chk. by:
 drawing no.
W06-34
 sheet 6 of 8



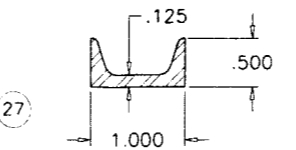
1 FRAME HEAD



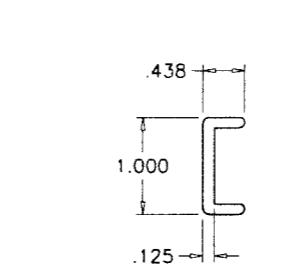
3 FRAME JAMB



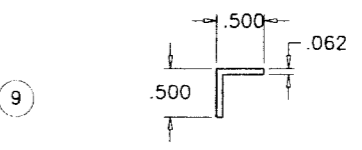
29 NAIL FIN (HEAD)



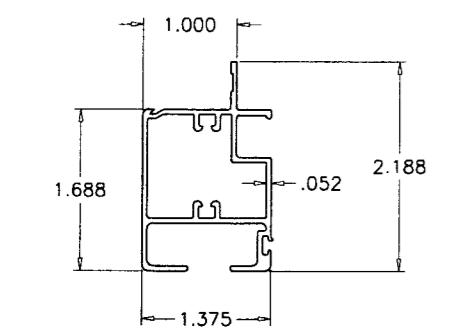
27 MTG. RAIL REINFORCINGS STEEL



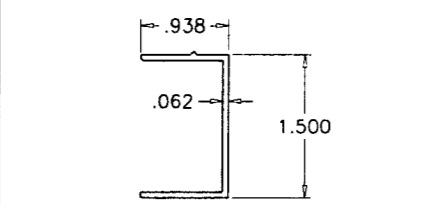
31 MTG. RAIL REINFORCINGS ALUMINUM



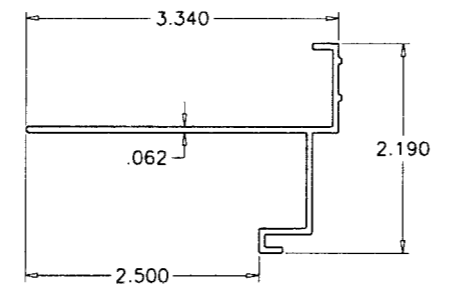
9 GLAZING BEADS



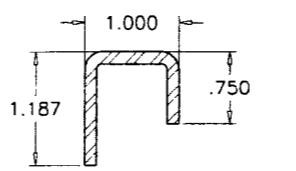
4 FIXED MEETING RAIL



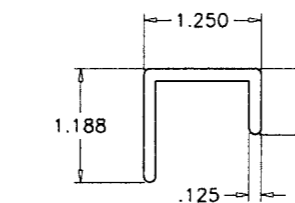
8 VENT STOP



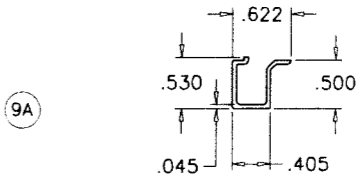
28 NAIL FIN (JAMB)



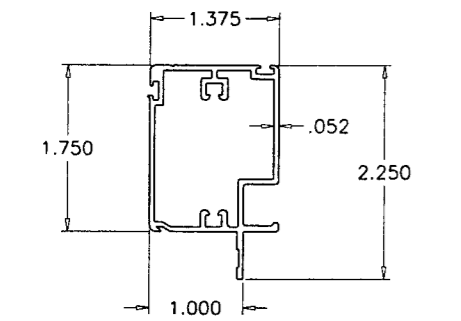
25 TOP RAIL REINFORCING STEEL



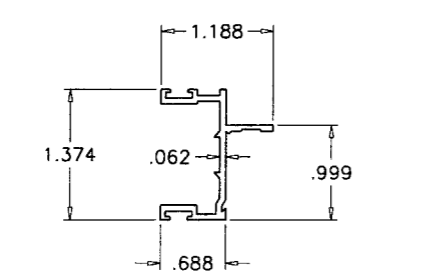
32 TOP RAIL REINFORCING ALUMINUM



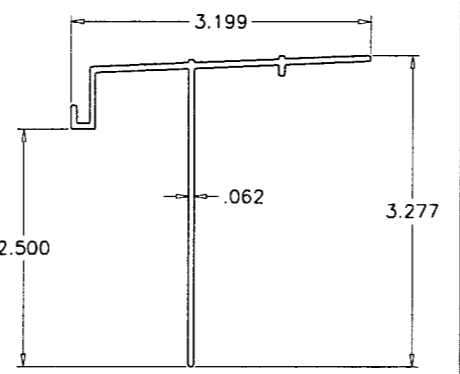
9A GLAZING BEADS



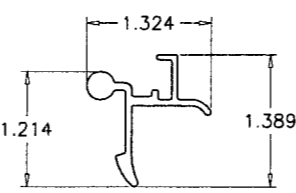
5 VENT TOP RAIL



7 SASH SIDE RAIL

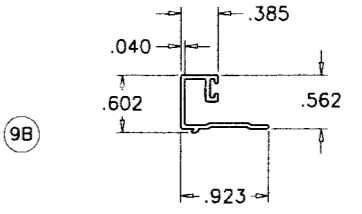


30 NAIL FIN (SILL)

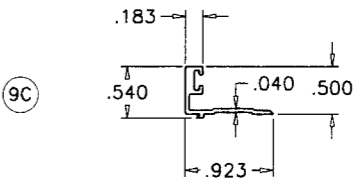


15A LATCH LOCK

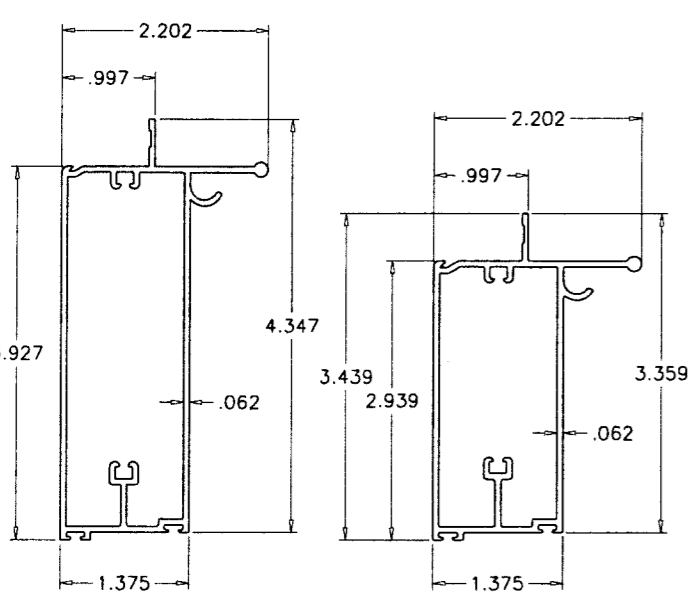
PRODUCT REVISED
 as complying with the
 Building Code
 Acceptance No. 09-0604-24
 Expiration Date July 05, 2012
 By Ishag I. Chaudhry
 Miami Dade Product Control
 Division



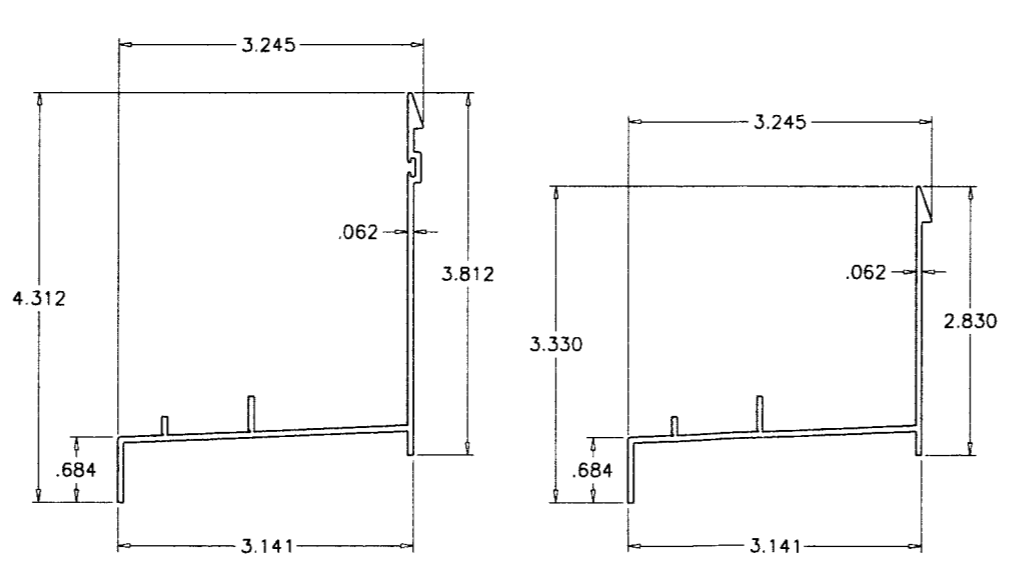
9B GLAZING BEADS



9C GLAZING BEADS



6 VENT BOTTOM RAILS



2 FRAME SILLS
 NOTE: EITHER SILL CAN BE USED

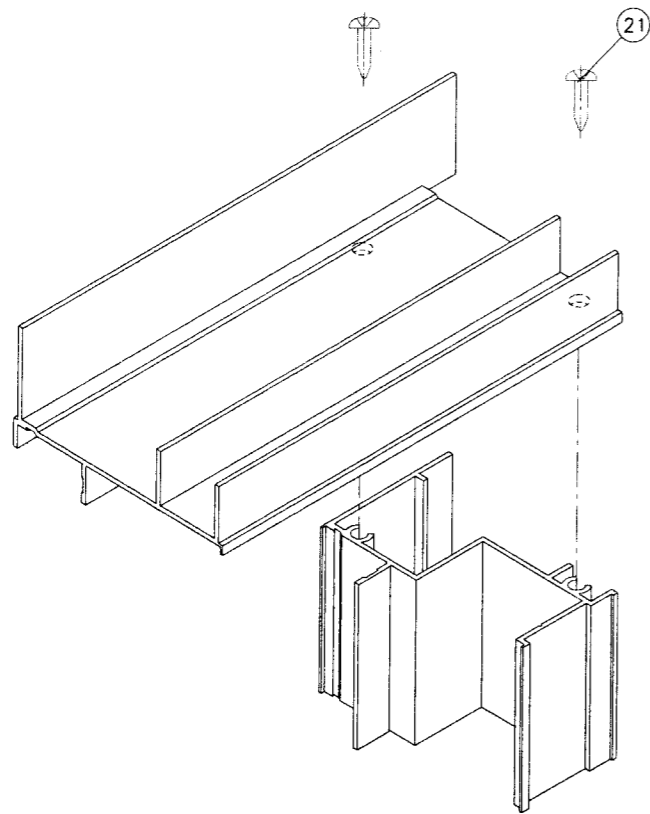
Engr: ARSHAD VIQAR
 CIVIL
 FLA. PE # 38863
 C.A.N. 3538
 Aug
 AUG 12 2009

af c
AL-FAROOQ CORPORATION
 ENGINEERS & PRODUCT DEVELOPMENT
 1235 S.W. 87 AVE
 MIAMI, FLORIDA 33174
 TEL. (305) 264-8100 FAX. (305) 262-6978
 COMP - ANL \ W06 - 34 TMW

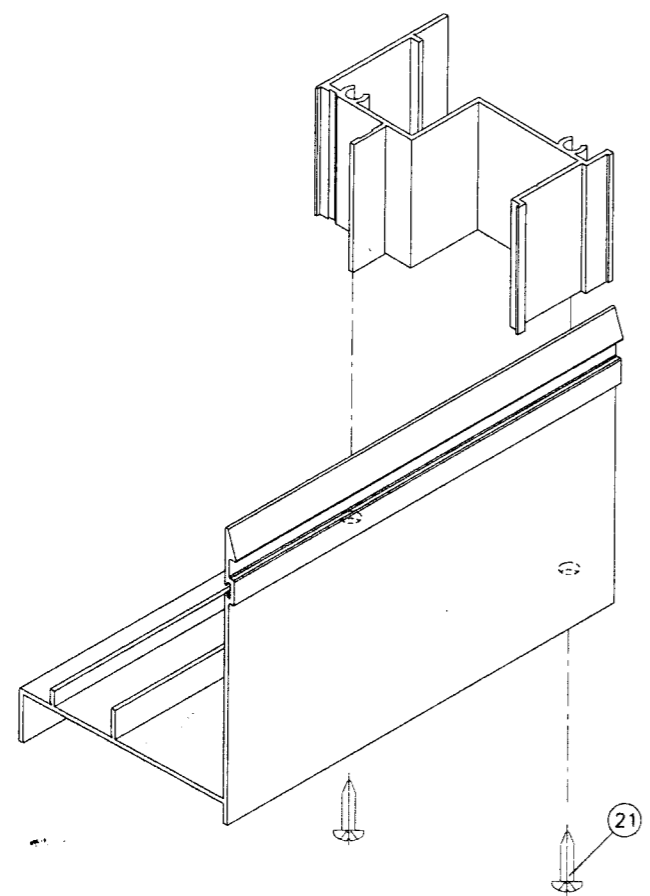
SERIES 605 ALUMINUM SINGLE HUNG WDW. (L.M.I.)
TM WINDOW AND DOOR
 601 N.W. 12TH AVE.
 POMPANO BEACH, FL. 33069
 TEL. (954) 781-4430 FAX. (954) 781-5078

no	date	description
A	10.17.06	NO. CHANGE THIS SHEET
B	11.06.06	REV. PER BCCO COMMENTS
C	01.10.08	GLASS & REINF. OPTIONS ADD.
D	05.12.09	UPDATED FOR 2007 FBC

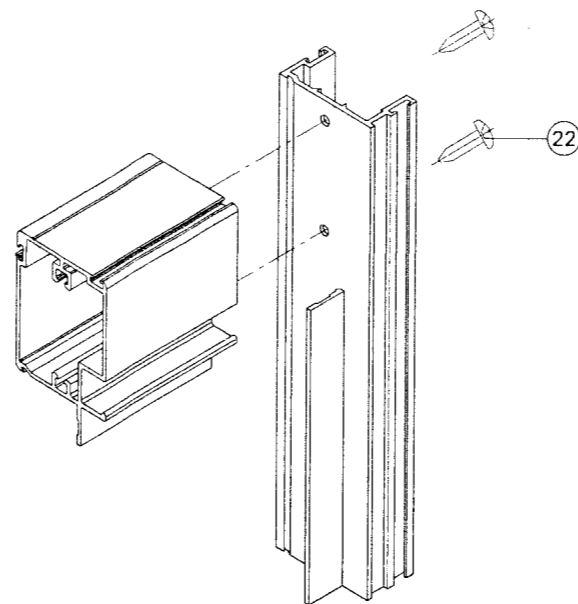
date: 04-24-06
 scale: 1/2" = 1"
 dr. by: HAMID
 chk. by:
 drawing no.
W06-34
 sheet 7 of 8



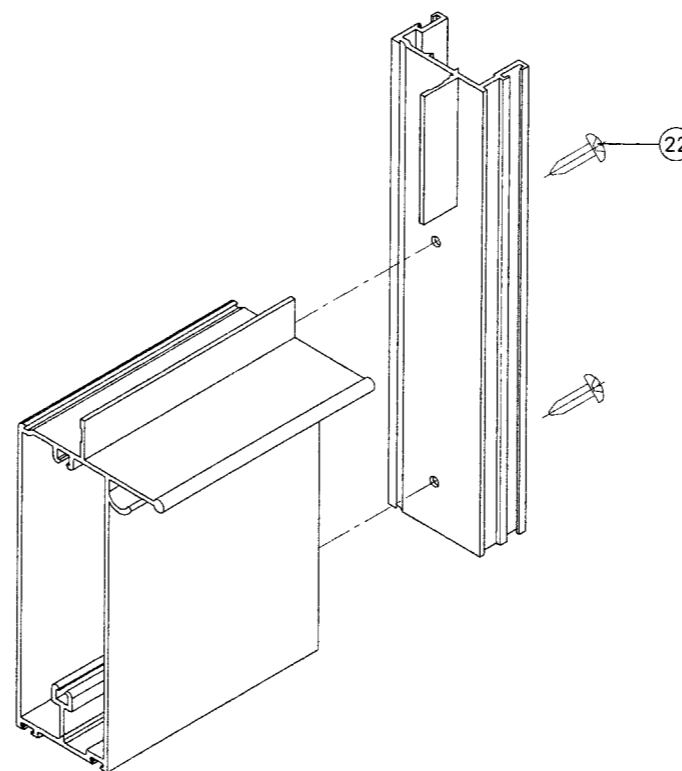
FRAME TOP CORNER



FRAME BOTTOM CORNER



VENT TOP CORNER



VENT BOTTOM CORNER

PRODUCT REVISED
 as complying with the code with.
 Building Code
 Acceptance No. 07-0604.24
 Expiration Date July 25, 2012
 By Iskander L. Lhanda
 Miami Dade Product Control
 Division

Engr: ARSHAD VIGAR
 CIVIL
 FLA. PE # 38863
 C.A.N. 3538

Ar

AUG 12 2009

a f c
AL-FAROOQ CORPORATION
 ENGINEERS & PRODUCT DEVELOPMENT
 1235 S.W. 87 AVE
 MIAMI, FLORIDA 33174
 TEL. (305) 264-8100 FAX. (305) 262-6978
 COMP - ANL \ W06 - 34TMM

SERIES 605 ALUMINUM SINGLE HUNG WDW. (L.M.I.)
TM WINDOW AND DOOR
 601 N.W. 12TH AVE.
 POMPANO BEACH, FL. 33069
 TEL. (954) 781-4430 FAX. (954) 781-5078

no	date	by	description
A	10.17.06		NO CHANGE THIS SHEET
B	11.06.06		REV. PER BCCO COMMENTS
C	01.10.08		GLASS & REINF. OPTIONS ADD.
D	05.12.09		UPDATED FOR 2007 FBC

date: 04-24-06
 scale: 1/2" = 1"
 dr. by: HAMID
 chk. by:

drawing no.
W06-34
 sheet 8 of 8