



**BUILDING CODE COMPLIANCE OFFICE (BCCO)
PRODUCT CONTROL DIVISION**

MIAMI-DADE COUNTY, FLORIDA
METRO-DADE FLAGLER BUILDING
140 WEST FLAGLER STREET, SUITE 1603
MIAMI, FLORIDA 33130-1563
(305) 375-2901 FAX (305) 375-2908

NOTICE OF ACCEPTANCE (NOA)

www.buldingcodeonline.com

Gopi Glass Sales & Services Corporation
7450 N. W. 41 Street
Miami, FL 33166

SCOPE:

This NOA is being issued under the applicable rules and regulations governing the use of construction materials. The documentation submitted has been reviewed by Miami-Dade County Product Control Division and accepted by the Board of Rules and Appeals (BORA) to be used in Miami Dade County and other areas where allowed by the Authority Having Jurisdiction (AHJ).

This NOA shall not be valid after the expiration date stated below. The Miami-Dade County Product Control Division (In Miami Dade County) and/or the AHJ (in areas other than Miami Dade County) reserve the right to have this product or material tested for quality assurance purposes. If this product or material fails to perform in the accepted manner, the manufacturer will incur the expense of such testing and the AHJ may immediately revoke, modify, or suspend the use of such product or material within their jurisdiction. BORA reserves the right to revoke this acceptance, if it is determined by Miami-Dade County Product Control Division that this product or material fails to meet the requirements of the applicable building code.

This product is approved as described herein, and has been designed to comply with the Florida Building Code, including the High Velocity Hurricane Zone.

DESCRIPTION: Series 510 Aluminum Fixed Window – L.M.I.

APPROVAL DOCUMENT: Drawing No. **W02-50**, titled “Series-510 Alum. Fixed Window (Impact)”, sheets 1 through 4 of 4, dated 05/20/02 with revision B dated 09/12/05, prepared by Al-Farooq Corporation, signed and sealed by Humayoun Farooq, P.E., bearing the Miami-Dade County Product Control Renewal stamp with the Notice of Acceptance number and expiration date by the Miami-Dade County Product Control Division.

MISSILE IMPACT RATING: Large and Small Missile Impact Resistant

LABELING: Each unit shall bear a permanent label with the manufacturer's name or logo, city, state and following statement: "Miami-Dade County Product Control Approved" or the Product Control Seal, unless otherwise noted herein.

RENEWAL of this NOA shall be considered after a renewal application has been filed and there has been no change in the applicable building code negatively affecting the performance of this product.

TERMINATION of this NOA will occur after the expiration date or if there has been a revision or change in the materials, use, and/or manufacture of the product or process. Misuse of this NOA as an endorsement of any product, for sales, advertising or any other purposes shall automatically terminate this NOA. Failure to comply with any section of this NOA shall be cause for termination and removal of NOA.

ADVERTISEMENT: The NOA number preceded by the words Miami-Dade County, Florida, and followed by the expiration date may be displayed in advertising literature. If any portion of the NOA is displayed, then it shall be done in its entirety.

INSPECTION: A copy of this entire NOA shall be provided to the user by the manufacturer or its distributors and shall be available for inspection at the job site at the request of the Building Official.

This NOA **renews NOA # 06-0210.06** and consists of this page 1 and evidence pages E-1 and E-2, as well as approval document mentioned above.

The submitted documentation was reviewed by **Manuel Perez, P.E.**



NOA No. 07-1029.07
Expiration Date: February 20, 2013
Approval Date: February 28, 2008
Page 1

Gopi Glass Sales & Services Corporation

NOTICE OF ACCEPTANCE: EVIDENCE SUBMITTED

A. DRAWINGS


1. Manufacturer's die drawings and sections.
2. Drawing No. **W02-50**, titled "Series-510 Alum. Fixed Window (Impact)", sheets 1 through 4 of 4, dated 05/20/02 and revision B dated 09/14/05, prepared by Al-Farooq Corporation, signed and sealed by Humayoun Farooq, P.E.

B. TESTS

1. Test reports on: 1) Air Infiltration Test, per TAS 202-94
2) Uniform Static Air Pressure Test, Loading per TAS 202-94
3) Water Resistance Test, per TAS 202-94
along with marked-up drawings and installation diagram of a series 510 aluminum fixed window, prepared by Hurricane Engineering & Testing Lab, Inc., Test Report No. **HETI-02-1211**, dated March, 4, 2002 signed and sealed by Hector M. Medina, P. E.
(Submitted under previous NOA #02-0826.03)
2. Test reports on: 1) Large Missile Impact Test, SFBC PA 201-94
2) Cyclic Loading Test, per SFBC PA 203-94
along with marked-up drawings and installation diagram of a series 510 aluminum fixed window, prepared by Hurricane Engineering & Testing Lab, Inc., Test Report No. **HETI-02-1145A** dated March 5, 2002 signed and sealed by Hector M. Medina, P. E.
(Submitted under previous NOA #02-0826.03)
3. Test reports on: 1) Large Missile Impact Test, SFBC PA 201-94
2) Cyclic Loading Test, per SFBC PA 203-94
along with marked-up drawings and installation diagram of a series 510 aluminum fixed window, prepared by Hurricane Engineering & Testing Lab, Inc., Test Report No. **HETI-02-1145B** dated April 30, 2002 signed and sealed by Hector M. Medina, P. E.
(Submitted under previous NOA #02-0826.03)
4. Test reports on: 1) Large Missile Impact Test, SFBC PA 201-94
2) Cyclic Loading Test, per SFBC PA 203-94
along with marked-up drawings and installation diagram of a series 510 aluminum fixed window, prepared by Hurricane Engineering & Testing Lab, Inc., Test Report No. **HETI-02-1145C** dated March 5, 2002 signed and sealed by Hector M. Medina, P. E.
(Submitted under previous NOA #02-0826.03)

C. CALCULATIONS

1. Anchor verification calculations and structural analysis, complying with FBC-2004, prepared by Al-Farooq Corporation, dated 9/10/05, signed and sealed by Humayoun Farooq, P.E.
Complies with ASTM E1300-02


Manuel Perez, P.E.
Product Control Examiner
NOA No. 07-1029.07
Expiration Date: February 20, 2013
Approval Date: February 28, 2008

Gopi Glass Sales & Services Corporation

NOTICE OF ACCEPTANCE: EVIDENCE SUBMITTED

D. QUALITY ASSURANCE

1. Miami Dade Building Code Compliance Office (BCCO).

E. MATERIAL CERTIFICATIONS

1. Notice of Acceptance No. **03-0225.10** issued to Glasslam NGI Inc. for their "**Safety-Plus II - Laminated Glass**" dated 08/07/03, expiring on 08/07/08.
2. Notice of Acceptance No. **06-0216.06** issued to Solutia Inc. for their "**Saflex III G Clear or colored Interlayer**" dated 05/04/06, expiring on 05/21/11.
3. Notice of Acceptance No. **03-1117.01** issued to Surface Specialties, Inc. for their "**Uvekol a Laminate Glass Component**", dated 01/29/04, expiring on 02/08/09.

F. STATEMENTS

1. Statement letter of conformance, dated September 18, 2007, signed and sealed by Humayoun Farooq, P.E.
2. Statement letter of no financial interest, dated September 18, 2007, signed and sealed by Humayoun Farooq, P.E.

G. OTHER

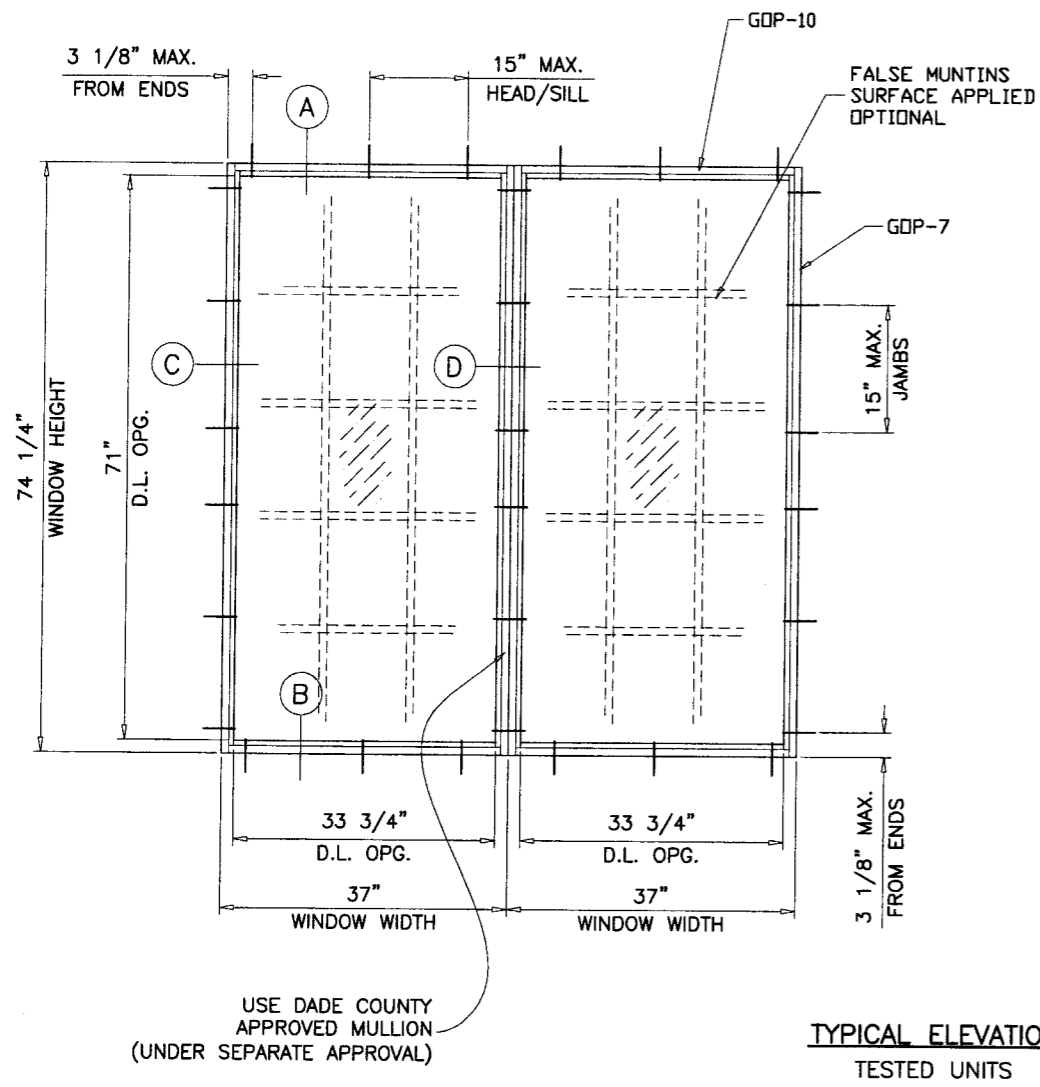
1. Notice of Acceptance No. **06-0210.06**, issued to Gopi Glass Sales & Service Corporation for their Series "Series "510" Aluminum Fixed Window-Impact, approved on 06/15/06 and expiring on 02/20/08.


Manuel Perez, P.E.
Product Control Examiner

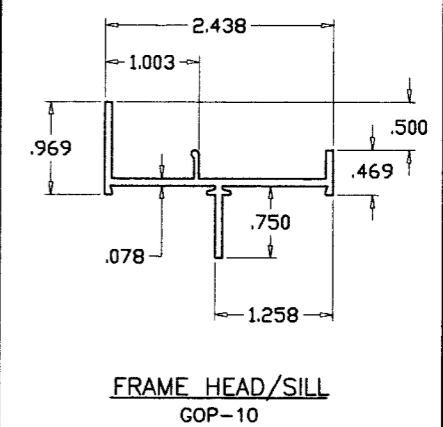
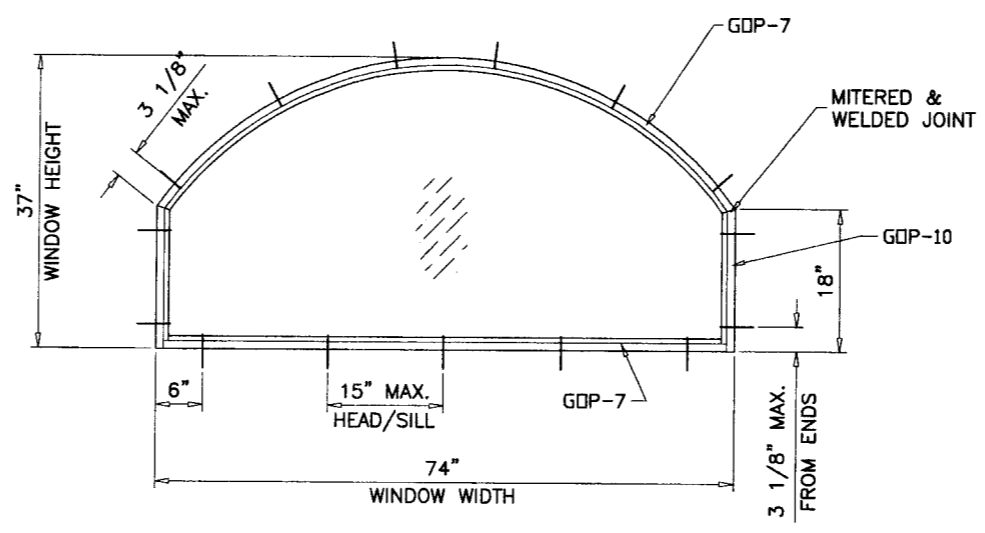
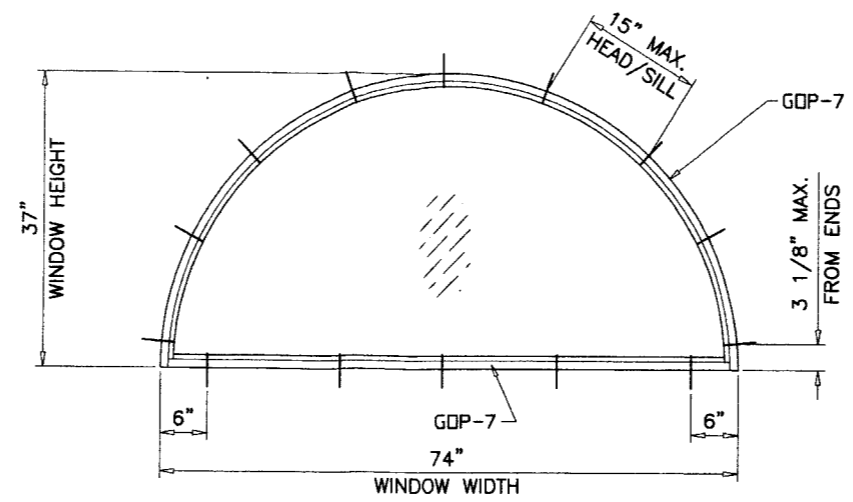
NOA No. 07-1029.07

Expiration Date: February 20, 2013

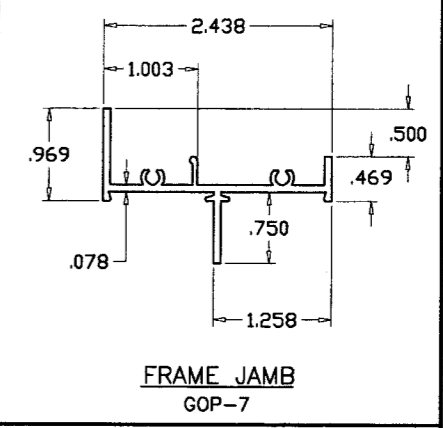
Approval Date: February 28, 2008



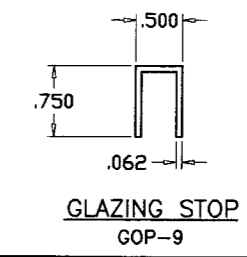
TYPICAL ELEVATION
TESTED UNITS



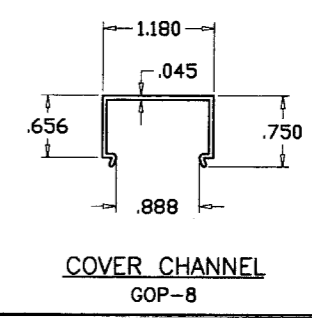
FRAME HEAD/SILL
GOP-10



FRAME JAMB
GOP-7



GLAZING STOP
GOP-9



COVER CHANNEL
GOP-8

SERIES-510 ALUMINUM FIXED WINDOW

DESIGN LOAD RATING FOR THESE WINDOWS TO BE AS PER CHART SHOWN ON SHEET 2.

FIXED WINDOWS GLAZED WITH LAMINATED GLASS RATED FOR LARGE MISSILE IMPACT AND REQUIRE NO SHUTTERS.

THIS PRODUCT HAS BEEN DESIGNED AND TESTED TO COMPLY WITH THE REQUIREMENTS OF THE FLORIDA BUILDING CODE 2004 EDITION INCLUDING HIGH VELOCITY HURRICANE ZONE.

WOOD BUCKS BY OTHERS, MUST BE ANCHORED PROPERLY TO TRANSFER LOADS TO THE STRUCTURE.

ANCHORS SHALL BE AS LISTED, SPACED AS SHOWN ON DETAILS, ANCHORS EMBEDMENT TO BASE MATERIAL SHALL BE BEYOND WALL DRESSING OR STUCCO.

ANCHORING OR LOADING CONDITIONS NOT SHOWN IN THESE DETAILS ARE NOT PART OF THIS APPROVAL.

A 33% INCREASE IN ALLOWABLE STRESS IS USED IN DESIGN OF WOOD ANCHORS ONLY.

ALL STEEL IN CONTACT WITH ALUMINUM TO BE PAINTED OR PLATED.

AL-FAROOQ CORPORATION
ENGINEERS, PLANNERS & PRODUCT DESIGN
1235 SW 87 AVE
MIAMI, FLORIDA 33174
TEL. (305) 264-8100 FAX. (305) 262-6978
COMP-ANL W02-50GGC

SERIES-510 ALUM FIXED WINDOW (IMPACT)
GOPi GLASS CORPORATION
7450 N.W. 41 STREET
MIAMI, FL. 33166
TEL. (305) 592-2089 FAX. (305) 477-0992

no	date	description
A	01.04.03	REV. PER BCCO COMMENTS
B	09.12.05	UPDATED FOR 2004 FBC

date: 05-20-02
scale: 1/2" = 1"
dr. by: HAMID
chk. by:

drawing no.
W02-50
sheet 1 of 4

Engr: DR. HUMAYOUN FAROOQ
STRUCTURES
FLA. PE # 16557
C.A.N. 3538

PRODUCT RENEWED
as complying with the Florida
Building Code
Acceptance No. **07-1029.07**
Expiration Date **FEB 20, 2013**

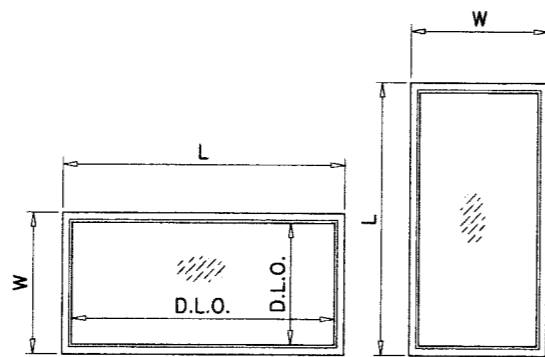
SEP 19 2007

By *Mamuel Perez*
Miami/Dade Product Control
Division

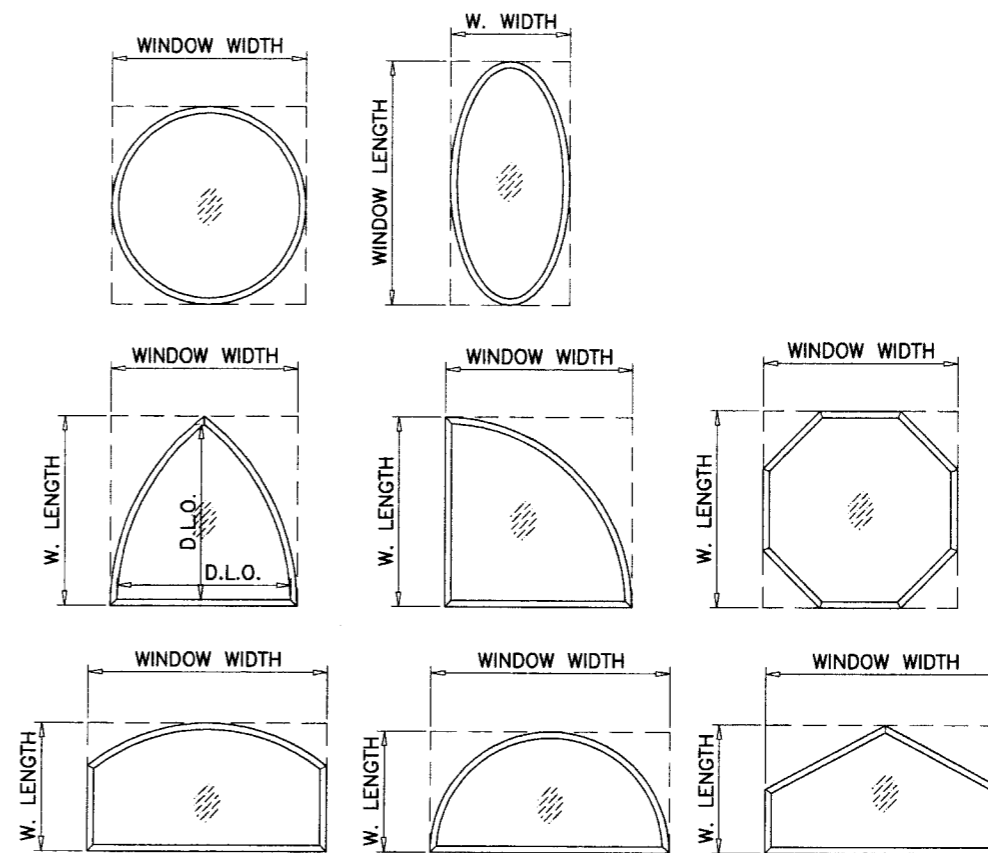
DESIGN LOAD CAPACITY - PSF			
WINDOW DIMS.		GLASS TYPES 'A', 'B' & 'C'	
WIDTH	LENGTH	EXT. (+)	INT. (-)
18" (3)	36" (3)	71.0	71.0
24" (3)		71.0	71.0
30" (3)		71.0	71.0
36" (3)		71.0	71.0
42" (4)		71.0	71.0
18" (3)	48" (4)	71.0	71.0
24" (3)		71.0	71.0
30" (3)		71.0	71.0
36" (3)		71.0	71.0
42" (4)		63.0	63.0
18" (3)	60" (5)	71.0	71.0
24" (3)		71.0	71.0
30" (3)		71.0	71.0
36" (3)		71.0	71.0
42" (4)		63.0	63.0
18" (3)	72" (6)	71.0	71.0
24" (3)		71.0	71.0
30" (3)		71.0	71.0
36" (3)		71.0	71.0
24" (3)	84" (6)	71.0	71.0
30" (3)		71.0	71.0
24" (3)	96" (7)	71.0	71.0
19-1/8" (3)	26" (3)	71.0	71.0
26-1/2" (3)		71.0	71.0
37" (3)		71.0	71.0
48" (4)		71.0	71.0
53-1/8" (5)		71.0	71.0
19-1/8" (3)	38-3/8" (4)	71.0	71.0
26-1/2" (3)		71.0	71.0
37" (3)		71.0	71.0
48" (4)		68.9	68.9
53-1/8" (5)		68.9	68.9
19-1/8" (3)	50-5/8" (4)	71.0	71.0
26-1/2" (3)		71.0	71.0
37" (3)		71.0	71.0
48" (4)		55.1	55.1
53-1/8" (5)		52.2	52.2
19-1/8" (3)	57" (5)	71.0	71.0
26-1/2" (3)		71.0	71.0
37" (3)		71.0	71.0
48" (4)		55.1	55.1
19-1/8" (3)	63" (5)	71.0	71.0
26-1/2" (3)		71.0	71.0
37" (3)		70.0	70.0
19-1/8" (3)	74-1/4" (6)	71.0	71.0
26-1/2" (3)		71.0	71.0
37" (3)		67.0	67.0

NUMBERS IN PARENTHESIS INDICATE NUMBER OF ANCHORS REQD. PER SIDE.

NOTE: GLASS CAPACITIES ON THIS SHEET ARE BASED ON ASTM E1300-02 (3 SEC. GUSTS)

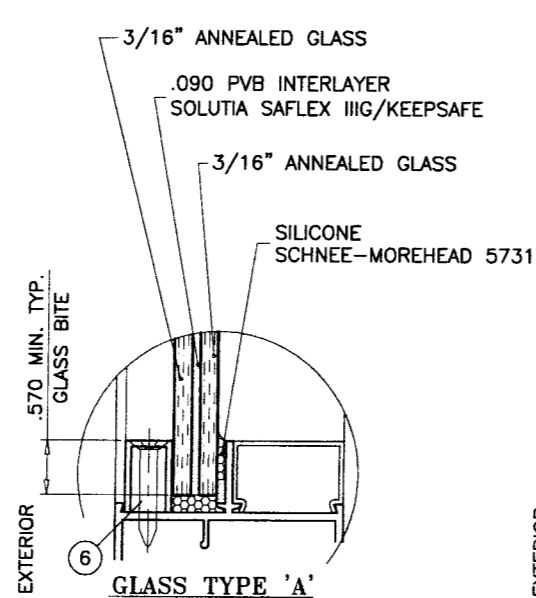


NOTE: WIDTH AND LENGTH DIMENSIONS CAN BE ORIENTED VERTICALLY OR HORIZONTALLY AS SHOWN ABOVE.

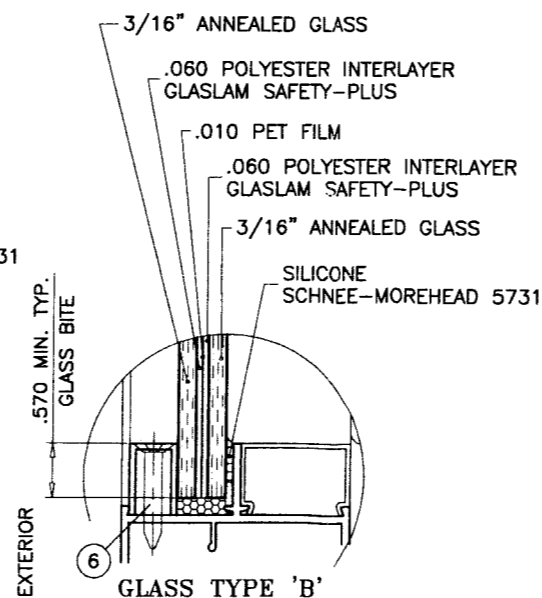


ALLOWABLE LOADS FOR ALTERNATE SHAPES AS SHOWN ABOVE OR SIMILAR CAN BE VERIFIED BY INSCRIBING PICTURE WINDOW SHAPE WITHIN SQUARE OR RECTANGLE AS SHOWN IN DOTTED LINES AND OBTAINING ALLOWABLE LOADS FROM THOSE SHAPES.

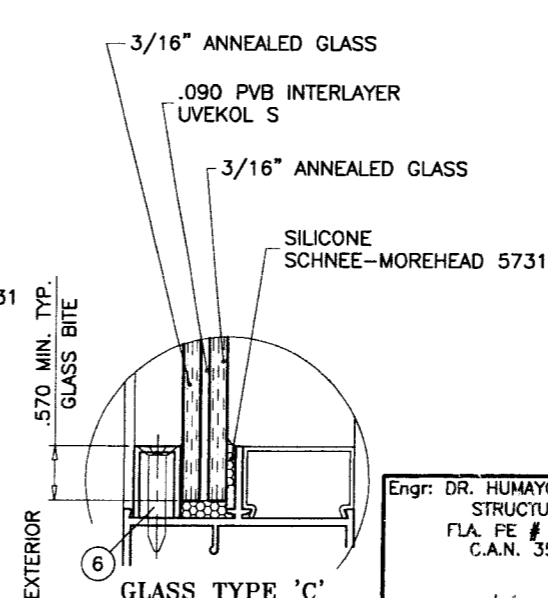
D.L.O. = WIDTH OR HEIGHT - 3.25"



GLASS TYPE 'A'



GLASS TYPE 'B'



GLASS TYPE 'C'

GLAZING OPTIONS

LARGE MISSILE IMPACT RESISTANT GLASS, SHUTTERS ARE NOT REQUIRED

Engr. DR. HUMAYOUN FAROOQ
STRUCTURES
FLA. FE # 16557
C.A.N. 3538

PRODUCT RENEWED
as complying with the Florida
Building Code
Acceptance No. 07-1029.07
Expiration Date FEB. 20, 2013

By *Muhammad Farooq*
Miami Dade Product Control
Division

SEP 19 2007

AL-FAROOQ CORPORATION
ENGINEERS, PLANNERS & PRODUCT DESIGN
1235 SW 87 AVE
MIAMI, FLORIDA 33174
TEL. (305) 264-8100 FAX. (305) 262-6978

SERIES-510 ALUM FIXED WINDOW (IMPACT)
GOPI GLASS CORPORATION
7450 N.W. 41 STREET
MIAMI, FL. 33166
TEL. (305) 592-2089 FAX. (305) 477-0992

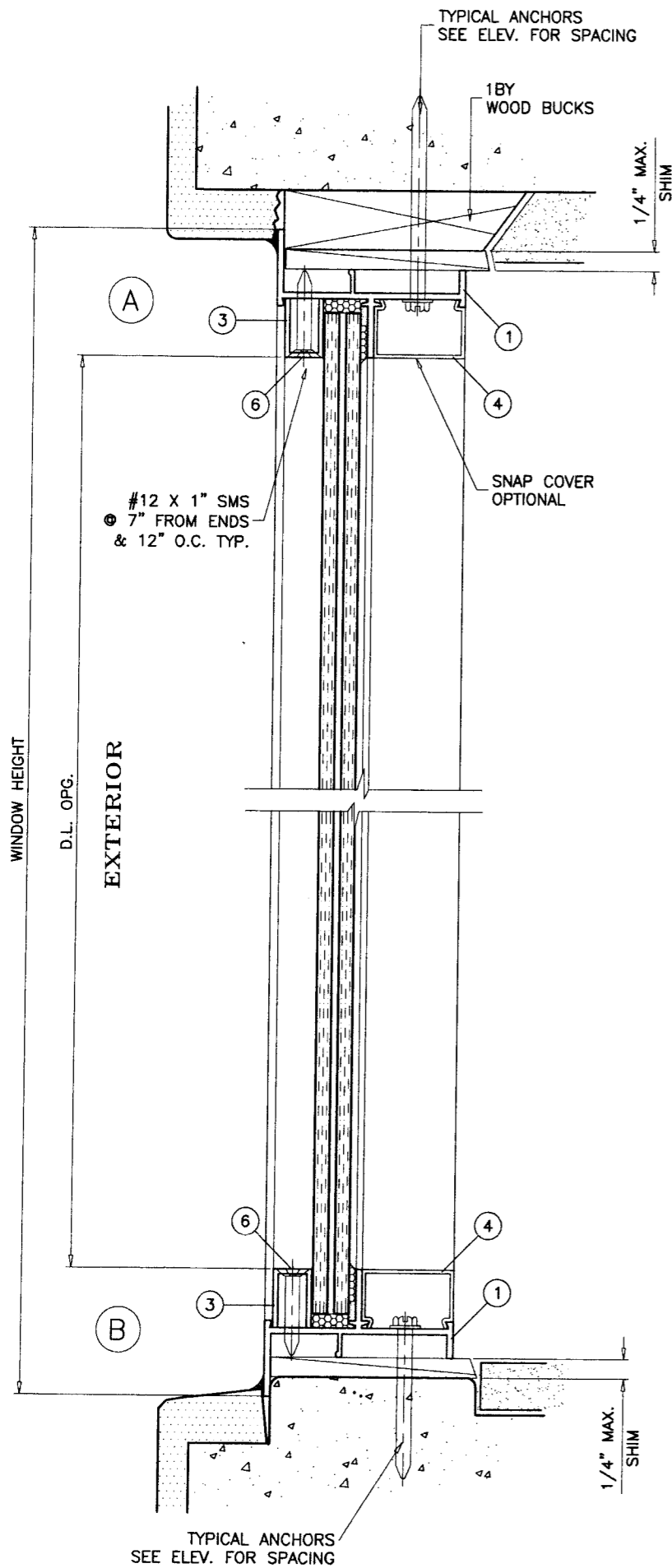
no	date	by	description
A	01.04.03		REV. PER BCCO COMMENTS
B	09.12.05		CHARTS REV.

date: 05-20-02
scale: 1/2" = 1"
dr. by: HAMID
chk. by:

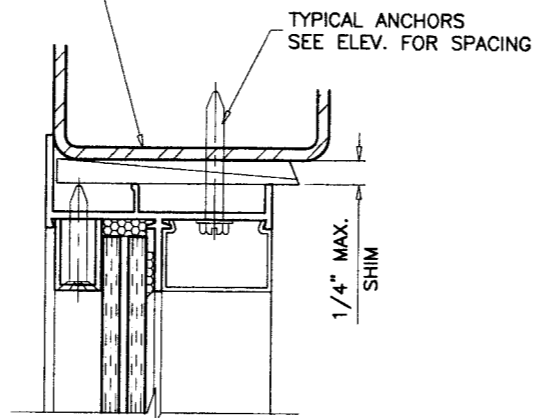
drawing no.
W02-50

sheet 2 of 4

COMP-ANL\W02-50GGC



METAL STRUCTURES
(STEEL OR ALUM. 1/8" MIN. THICK)
STEEL : Fy = 36 KSI MIN.
ALUMINUM : 6063-T5 MIN.



WOOD BUCKS NOT BY GOPI GLASS CORP., MUST SUSTAIN LOADS IMPOSED BY GLAZING SYSTEM AND TRANSFER THEM TO THE BUILDING STRUCTURE.

TYPICAL ANCHORS: SEE ELEV. FOR SPACING

1/4" TAPCONS

INTO 2BY WOOD BUCKS OR WOOD STRUCTURE
1-3/8" MIN. PENETRATION INTO WOOD
THRU 1BY WOOD BUCKS INTO MASONRY OR DIRECTLY INTO MASONRY
1-1/4" MIN. EMBED INTO MASONRY OR CONC.

#12 SMS OR SELF DRILLING SCREWS (GRADE 5)

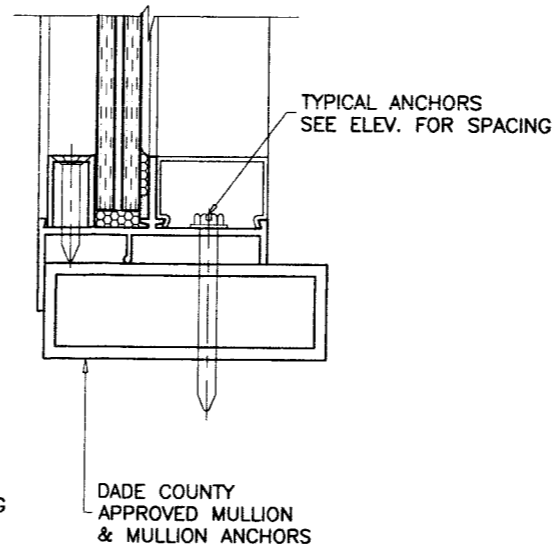
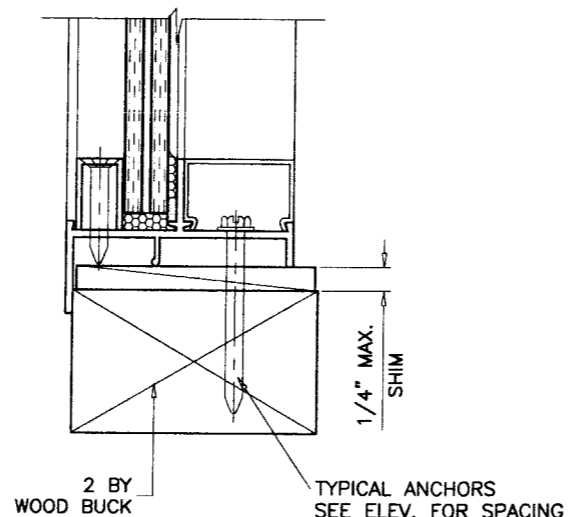
INTO METAL STRUCTURES (1/8" MIN. THICKNESS)

#12 SMS OR SELF DRILLING SCREWS (MIN. GRADE 2 CRS)

INTO APPROVED MULLIONS (NO SHIM SPACE)

SEALANTS:

FRAME CORNERS AND INSTALLATION SCREWS AT SILL
SEALED WITH SEALANT.



Engr: DR. HUMAYOUN FAROOQ
STRUCTURES
FLA. PE # 16557
C.A.N. 3538

SEP 19 2007

PRODUCT RENEWED
as complying with the Florida
Building Code
Acceptance No. 07-1029.07
Expiration Date FEB. 20, 2013

By *Manuel J...*
Miami Dade Product Control
Division

AL-FAROOQ CORPORATION
ENGINEERS, PLANNERS & PRODUCT DESIGN
1235 SW 87 AVE
MIAMI, FLORIDA 33174
TEL. (305) 264-8100 FAX. (305) 262-6978

SERIES-510 ALUM FIXED WINDOW (IMPACT)

GOPI GLASS CORPORATION
7450 N.W. 41 STREET
MIAMI, FL. 33166
TEL. (305) 592-2089 FAX. (305) 477-0992

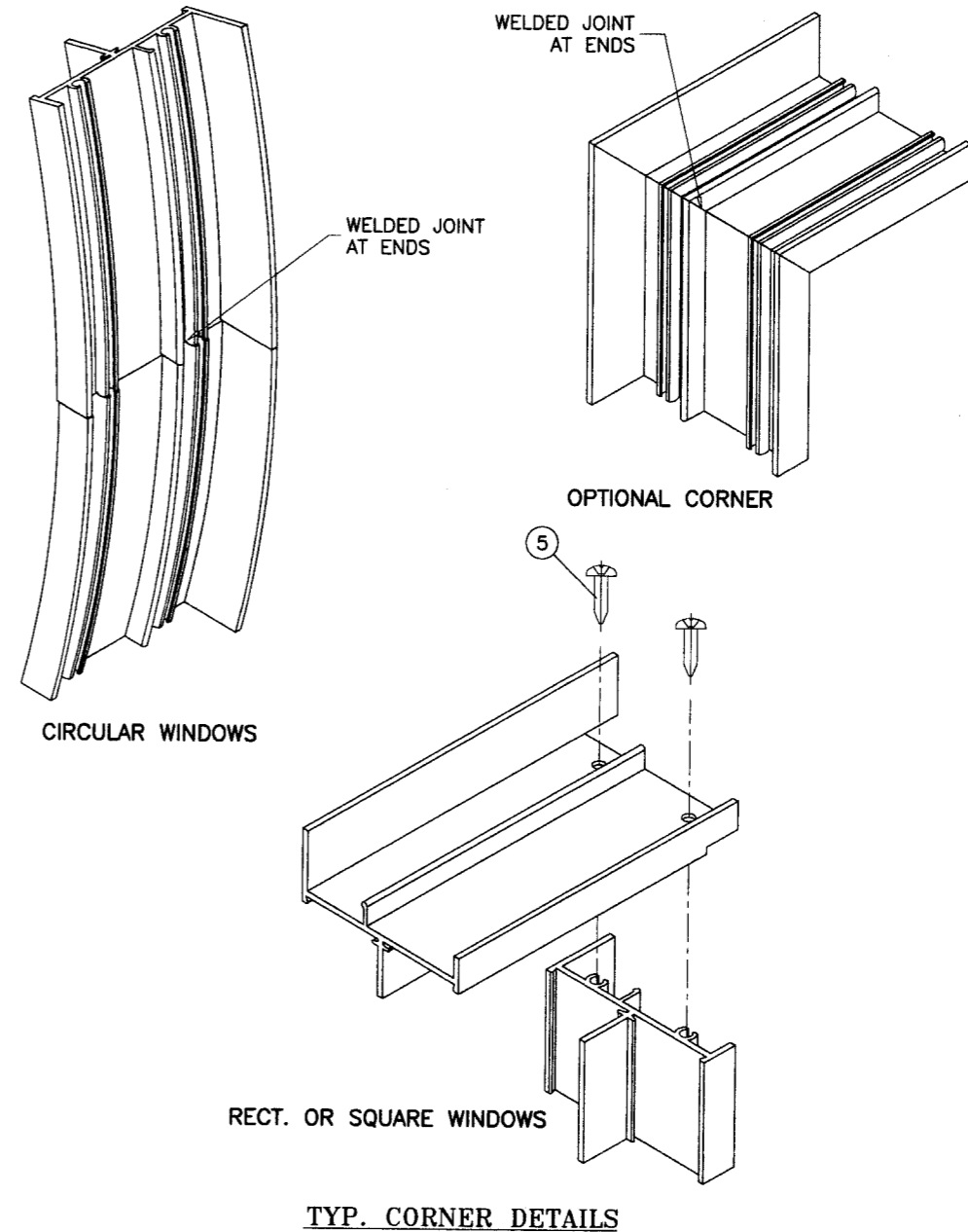
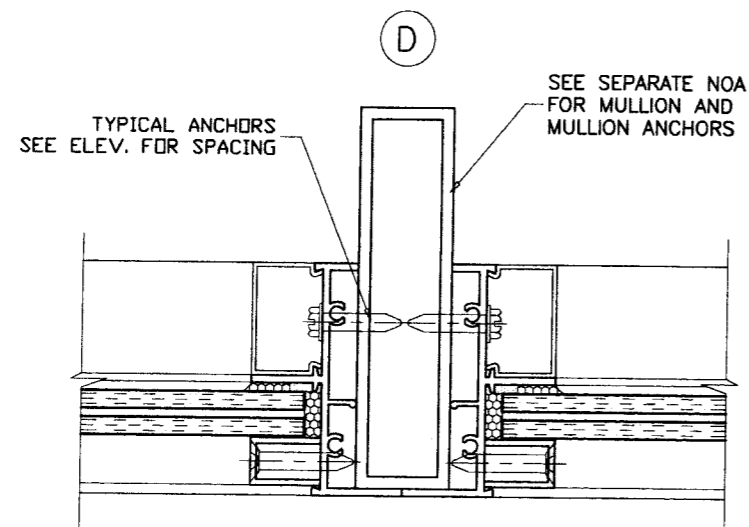
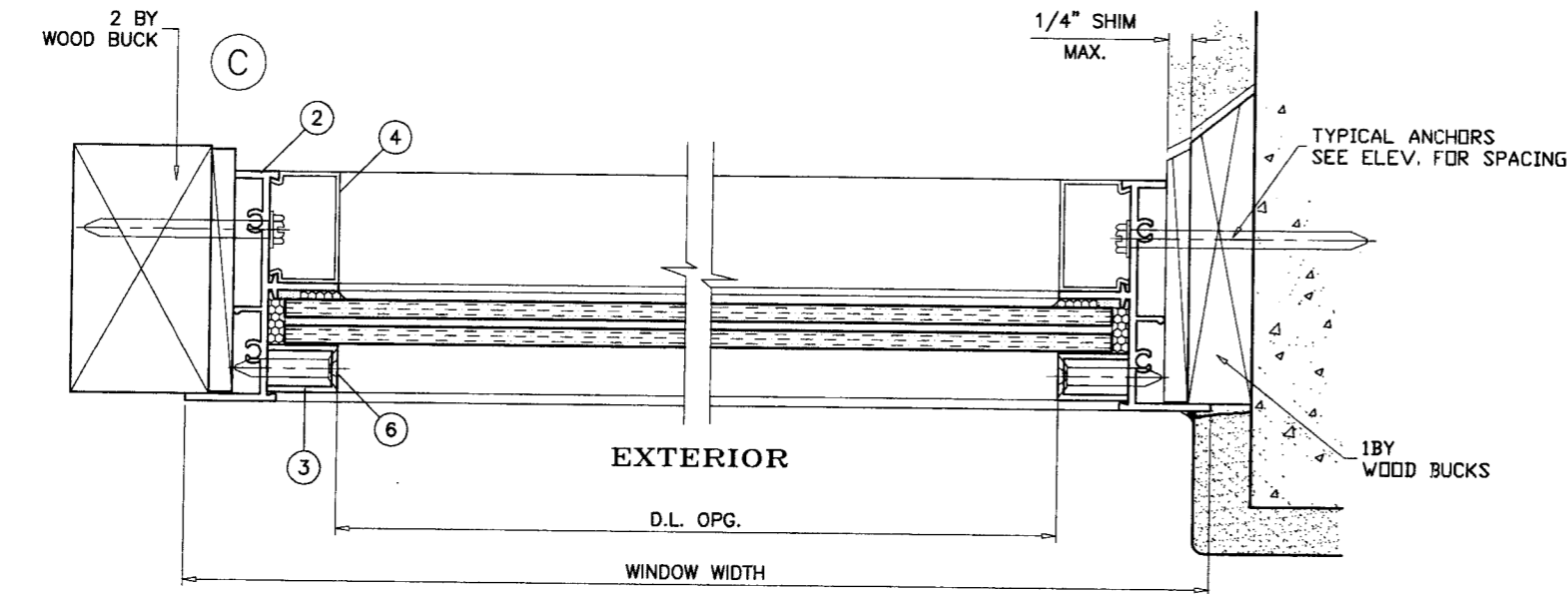
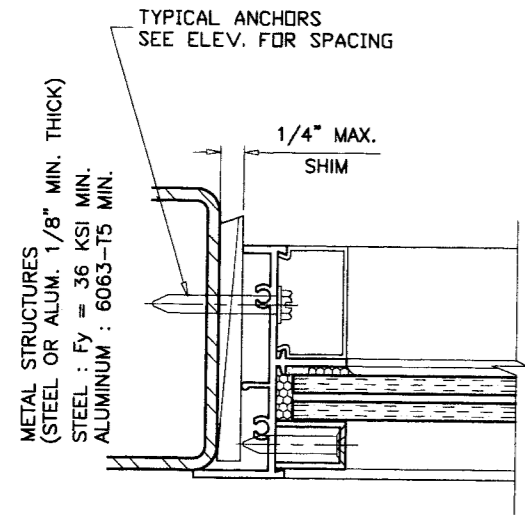
no	date	description	REV. PER	BCCO	COMMENTS
A	01.04.03				
B	09.12.05				ANCHORS REV.

date: 05-20-02
scale: 1/2" = 1"
dr. by: HAMID
chk. by:

drawing no.
W02-50
sheet 3 of 4

COMP-ANL\W02-50GGC

ITEM	PART #	QUANTITY	DESCRIPTION	MATERIAL	MANF./SUPPLIER/REMARKS
1	GOP-10	2	FRAME HEAD/SILL	6063-T5	-
2	GOP-7	2	FRAME JAMB	6063-T5	-
3	GOP-9	4	GLAZING BEAD	6063-T5	-
4	GOP-8	AS REQD.	COVER CHANNEL	6063-T5	OPTIONAL
5	#8 X 3/4"	2/ CORNER	ASSEMBLY SCREWS	-	P.H. PHILLIPS
6	#12 X 1"	AS REQD.	GLAZING BEAD SCREWS @ 7" FROM ENDS & 12" O.C.	-	F.H. SMS



Engr. DR. HUMAYCUN FAROOQ
STRUCTURES
FLA. PE # 16557
C.A.N. 3538

SEP 19 2007

PRODUCT RENEWED
as complying with the Florida
Building Code
Acceptance No. **07-1029-D7**
Expiration Date **FEB. 20, 2013**

By: *Manuel Perez*
Miami Trade Product Control
Division

afc

AL-FAROOQ CORPORATION
ENGINEERS, PLANNERS & PRODUCT DESIGN
1235 SW 87 AVE
MIAMI, FLORIDA 33174
TEL. (305) 264-8100 FAX. (305) 262-6978
COMP-ANL\W02-50GGC

SERIES-510 ALUM FIXED WINDOW (IMPACT)

GOPi GLASS CORPORATION
7450 N.W. 41 STREET
MIAMI, FL. 33166
TEL. (305) 592-2089 FAX. (305) 477-0992

revisions:	no	date	by	description
	A	01.04.03		NO CHANGE THIS SHEET
	B	09.12.05		NO CHANGE THIS SHEET

date: 05-20-02
scale: 1/2" = 1"
dr. by: HAMID
chk. by:

drawing no.
W02-50
sheet 4 of 4